

XC9250/XC9251 Series

ETR05023-004b

30V Driver Transistor Built-In Step-Down DC/DC Converters

■ GENERAL DESCRIPTION

The XC9250/XC9251 series are 30V operation step-down DC/DC converter ICs with an internal driver transistor. The internal Nch driver transistor is driven by bootstrap to achieve a stable, high-efficiency power supply up to an output current of 2.0A. Low ESR capacitors such as ceramic capacitors can be used for the load capacitor (C_L).

A 0.8V reference voltage source is incorporated in the IC, and the output voltage can be set to a value from 1.2V to 12.0V using external resistors (R_{FB1} , R_{FB2}).

300kHz or 500kHz can be selected for the switching frequency. The generation of unneeded noise can be suppressed by synchronizing to an external CLK in a range of $\pm 25\%$ of the free running frequency using the SYNC pin. In automatic PWM/PFM control, the IC operates by PFM control when the load is light to achieve high efficiency over the full load range from light to heavy.

The soft start time can be set as desired by adding an external capacitance to the SS pin.

With the built-in UVLO function, the driver transistor is forced OFF when input voltage becomes 4.5V or lower.

Internal protection circuits include over current protection, integral latch protection, short-circuit protection, and thermal shutdown circuits to enable safe use.

■ APPLICATIONS

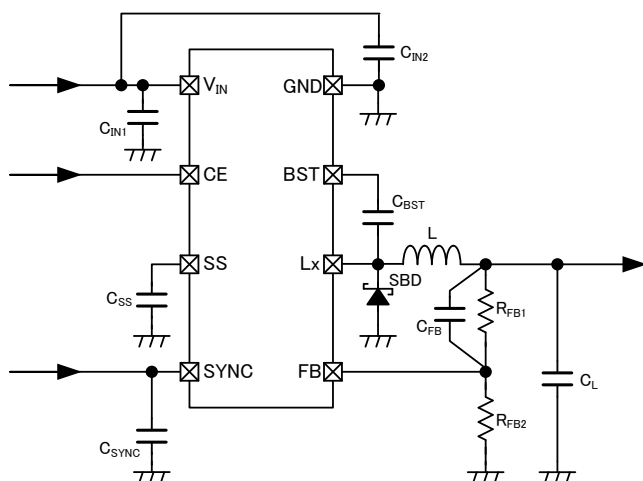
- Car navigation systems
- Car audios
- Industrial equipment

■ FEATURES

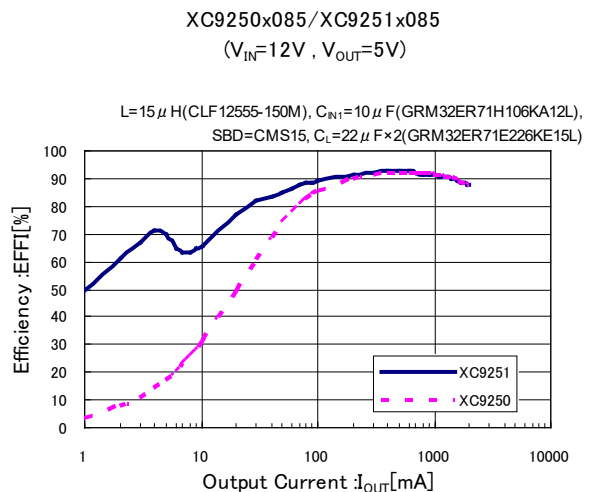
| | | |
|-------------------------------|---|--|
| Input Voltage | : | 7~30V |
| FB Voltage | : | 0.8V \pm 2% |
| Oscillation Frequency | : | 300kHz, 500kHz |
| Maximum Output Current | : | 2.0A |
| Control Method | : | PWM (XC9250) PWM/PFM (XC9251) |
| Soft-start | : | External Capacitor (set by external capacitor C) |
| Protection Circuit | : | Over Current Protection 3.2A (TYP.) Integral Latch Method (XC9250/51A) Automatic Recovery (XC9250/51B) Thermal Shutdown |
| Low ESR Ceramic Capacitor | : | Ceramic Capacitor |
| Operating Ambient Temperature | : | -40°C ~ +105°C |
| Package | : | SOP-8FD |
| Environmentally Friendly | : | EU RoHS Compliant, Pb Free |

*Performance depends on external components and wiring on the PCB.

■ TYPICAL APPLICATION CIRCUIT

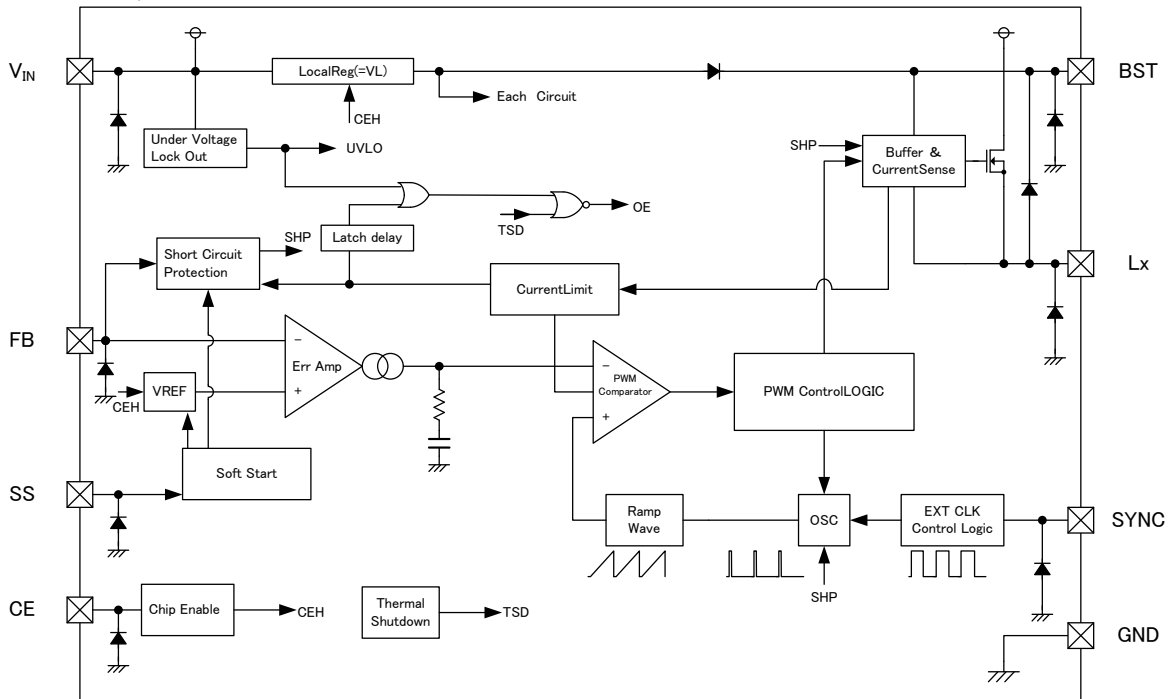


■ TYPICAL PERFORMANCE CHARACTERISTICS



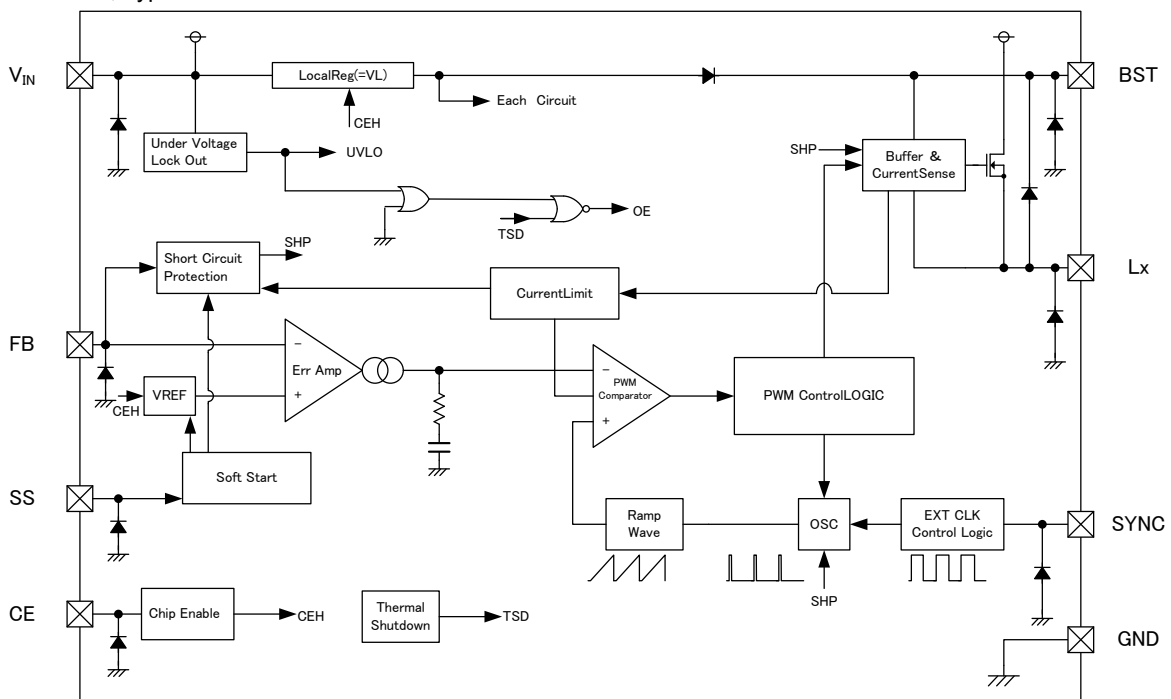
■ BLOCK DIAGRAM

1) XC9250 Series, Type A



* Diodes inside the circuit are ESD protection diodes and parasitic diodes.

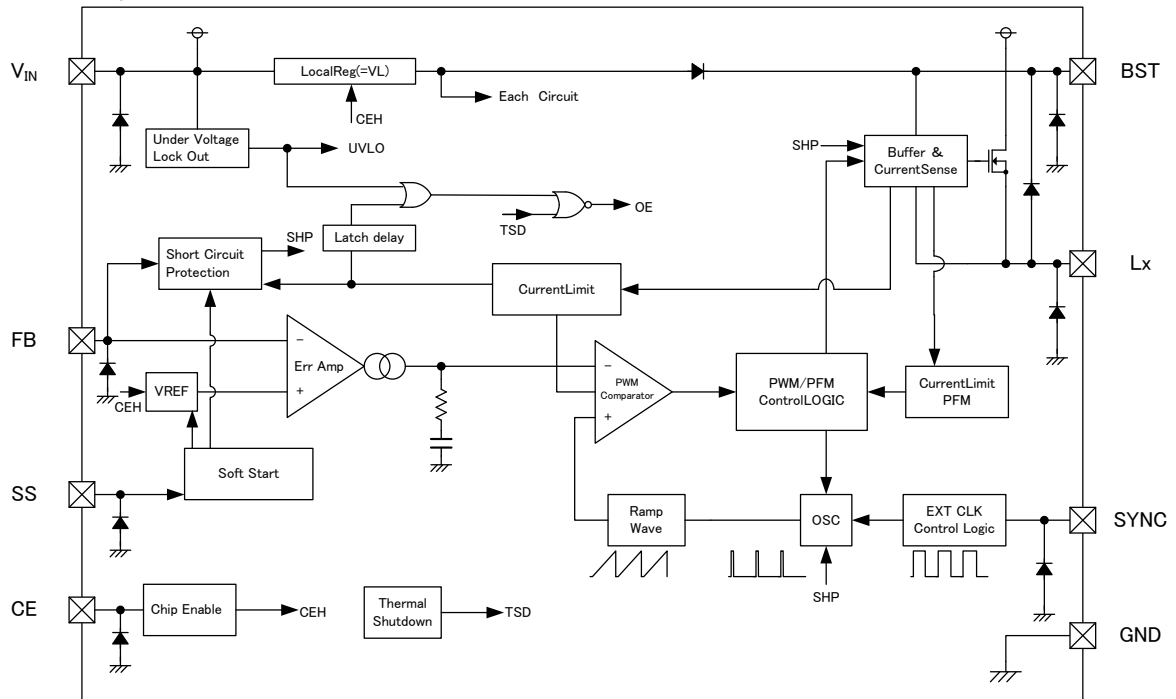
2) XC9250 Series, Type B



* Diodes inside the circuit are ESD protection diodes and parasitic diodes.

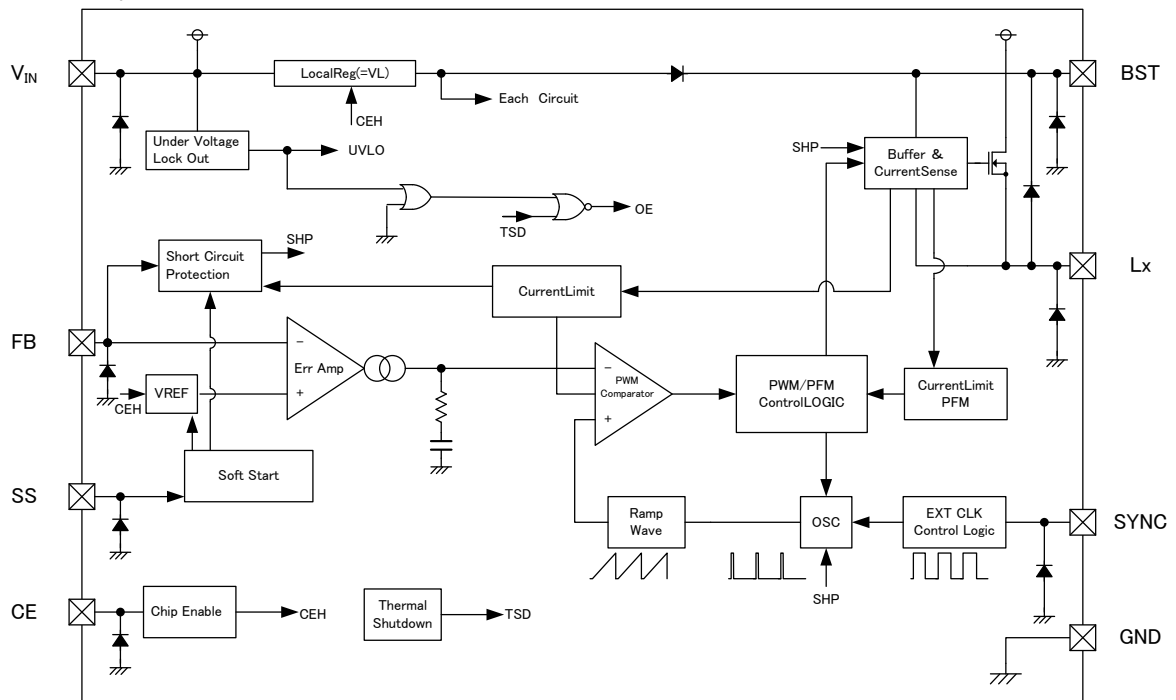
■ BLOCK DIAGRAM (Continued)

3) XC9251 Series, Type A



* Diodes inside the circuit are ESD protection diodes and parasitic diodes.

4) XC9251 Series, Type B



* Diodes inside the circuit are ESD protection diodes and parasitic diodes.

■ PRODUCT CLASSIFICATION

● Ordering Information

XC9250①②③④⑤⑥-⑦ PWM

XC9251①②③④⑤⑥-⑦ PWM/PFM Auto

| DESIGNATOR | ITEM | SYMBOL | DESCRIPTION |
|---------------------|---------------------------|--------|---|
| ① | Functional selection | A | Refer to Selection Guide |
| | | B | |
| ②③ | Adjustable Output Voltage | 08 | Output voltage can be adjusted in 1.2V to 12V |
| ④ | Oscillation Frequency | 3 | 300kHz |
| | | 5 | 500kHz |
| ⑤⑥-⑦ ^(*) | Package (Order Unit) | QR-G | SOP-8FD (1,000/Reel) |

^(*) The "-G" suffix denotes Halogen and Antimony free as well as being fully RoHS compliant.

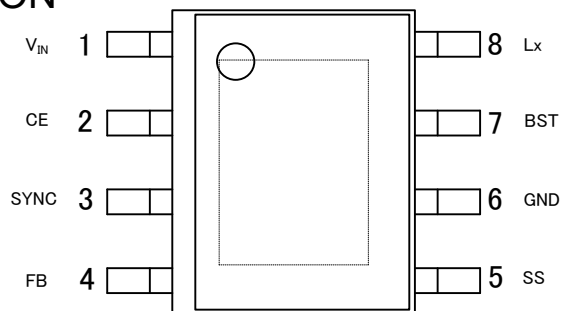
● Selection Guide

| TYPE | CURRENT LIMITER | LATCH PROTECTION | CHIP ENABLE | UVLO |
|------|-----------------|--------------------|-------------|------|
| A | YES | YES ^(*) | YES | YES |
| B | YES | NO | YES | YES |

| TYPE | THERMAL SHUTDOWN | SOFT-START | SYNCHRONIZED with EXTERNAL CLOCK |
|------|------------------|------------|----------------------------------|
| A | YES | YES | YES |
| B | YES | YES | YES |

^(*) The over-current protection latch is an integral latch type.

■ PIN CONFIGURATION



SOP-8FD
(TOP VIEW)

* The dissipation pad for this IC should be solder-plated for mounting strength and heat dissipation. Please refer to the reference mount pattern and metal masking. The dissipation pad should be connected to the GND (No. 6) pin.

■ PIN ASSIGNMENT

| PIN NUMBER | PIN NAME | FUNCTIONS |
|------------|-----------------|-----------------------|
| | | |
| 1 | V _{IN} | Power Input |
| 2 | CE | Chip Enable |
| 3 | SYNC | External CLK Sync Pin |
| 4 | FB | Output Voltage Sense |
| 5 | SS | Soft-start Adjustment |
| 6 | GND | Ground |
| 7 | BST | Bootstrap |
| 8 | Lx | Switching Output |

■ FUNCTION

| PIN NAME | SIGNAL | STATUS |
|----------|--------|---|
| CE | L | Stand-by |
| | H | Active |
| | OPEN | Undefined State ^(*) |
| SYNC | L | Operates with internal clock frequency |
| | H | |
| | CLK | Synchronizes with External Clock Signal |
| | OPEN | Undefined State ^(*) |

^(*) Please do not leave the CE and SYNC pin open.

■ ABSOLUTE MAXIMUM RATINGS

T_a=25°C

| PARAMETER | SYMBOL | RATINGS | UNITS |
|-------------------------------|--------------------|--|-------|
| V _{IN} Pin Voltage | V _{IN} | -0.3 ~ +36 | V |
| BST Pin Voltage | V _{BST} | -0.3 or V _{LX} -0.3 ^(*) ~ V _{LX} +6.5 or +36 ⁽²⁾ | V |
| FB Pin Voltage | V _{FB} | -0.3 ~ +6.5 | V |
| SYNC Pin Voltage | V _{SYNC} | -0.3 ~ +6.5 | V |
| CE Pin Voltage | V _{CE} | -0.3 ~ +36 | V |
| SS Pin Voltage | V _{CSS} | -0.3 ~ +6.5 | V |
| Lx Pin Voltage | V _{LX} | -0.3 ~ V _{IN} +0.3 or +36 ⁽³⁾ | V |
| Lx Pin Current | I _{LX} | 4.2 | A |
| Power Dissipation | P _d | 300 | mW |
| | | 1500 (PCB mounted) | |
| Surge Voltage | V _{SURGE} | 46 ⁽⁴⁾ | V |
| Operating Ambient Temperature | T _{opr} | -40 ~ +105 | °C |
| Storage Temperature | T _{stg} | -55 ~ +125 | °C |

* All voltages are described based on the GND pin.

⁽¹⁾ The minimum value should be either -0.3 or V_{LX}-0.3 in the highest.

⁽²⁾ The maximum value should be either V_{LX}+6.5 or +36 in the lowest.

⁽³⁾ The maximum value should be either V_{IN}+0.3 or +36 in the lowest.

⁽⁴⁾ Applied Time ≤ 400ms

ELECTRICAL CHARACTERISTICS

●XC9250A/B083

Ta=25°C

| PARAMETER | SYMBOL | CONDITIONS | MIN. | TYP. | MAX. | UNITS | CIRCUIT |
|---|---|--|------------------------|------------------|------------------------|--------|---------|
| FB Voltage | V _{FB1} | V _{FB} =0.816V→0.784V, V _{SS} =6V, V _{FB} Voltage when Lx pin oscillates | 0.784 | 0.8 | 0.816 | V | ③ |
| FB Voltage Temperature Characteristics | $\frac{\Delta V_{FB}}{(\Delta T_{opr} \cdot V_{FB})}$ | -40°C ≤ T _{opr} ≤ 105°C | - | ±50 | - | ppm/°C | ③ |
| Output Voltage Setting Range | V _{OUTSET} | - | 1.2 ⁽¹⁾ | - | 12 | V | - |
| Operating Voltage Range | V _{IN} | - | 7 | - | 30 | V | - |
| UVLO detect voltage | V _{UVLO1} | V _{IN} =4.9V→4.3V, V _{FB} =0.65V, V _{SS} =6V V _{IN} Voltage when Lx pin voltage changes from "H" level to "L" level | 4.3 | 4.6 | 4.9 | V | ③ |
| UVLO release voltage | V _{UVLO2} | V _{IN} =4.7V→5.3V, V _{FB} =0.65V, V _{SS} =6V V _{IN} Voltage when Lx pin voltage changes from "L" level to "H" level | 4.7 | 5.0 | 5.3 | V | ③ |
| Quiescent Current | I _q | V _{IN} =V _{CE} =30V, V _{FB} =0.95V | - | 200 | 310 | μA | ④ |
| Stand-by Current | I _{STB} | V _{IN} =30V, V _{CE} =0V, V _{SS} =0V, V _{SYNC} =0V | - | 0.01 | 0.1 | μA | ④ |
| Oscillation Frequency | f _{OSC} | Connected to external components, I _{OUT} =300mA | 270 | 300 | 330 | kHz | ① |
| External Clock Signal Synchronized Frequency | SYNCOSC | Connected to external components, I _{OUT} =0mA | f _{osc} ×0.75 | f _{osc} | f _{osc} ×1.25 | kHz | ② |
| External Clock Signal Duty Cycle | D _{SYNC} | Connected to external components, I _{OUT} =0mA | 25 | - | 75 | % | ② |
| Maximum Duty Cycle | D _{MAX} | V _{FB} =0.65V | 83 | 85 | 88 | % | ③ |
| Minimum Duty Cycle | D _{MIN} | V _{FB} =0.95V | - | - | 0 | % | ③ |
| Lx SW On Resistance | R _{Lx} | V _{FB} =0.65V, V _{SS} =6V | - | 0.3 | 0.6 | Ω | ③ |
| Current Limit ⁽²⁾ | I _{LIM} | V _{FB} =0.65V, V _{SS} =6V | 2.4 | 3.2 | - | A | ③ |
| Latch Time | t _{LAT} | XC9250A series only Connected to external components, V _{FB} =0.65V, V _{SS} =6V | 0.8 | 1.3 | 1.8 | ms | ⑤ |
| Short Detect Voltage | V _{SHORT} | XC9250B series only, Connected to external components, V _{FB} =0.45V→0.35V, V _{SS} =6V V _{FB} Voltage when Oscillation Frequency is decreased | 0.35 | 0.40 | 0.45 | V | ⑤ |
| Internal Soft-start Time | t _{SS1} | V _{CE} =0→12V, V _{SS} =6V, V _{FB} =V _{FB1} ×0.9V Time until Lx pin oscillates | 0.8 | 1.3 | 2.0 | ms | ③ |
| External Soft-start Time | t _{SS2} | V _{CE} =0→12V, V _{SS} =6V, V _{FB} =V _{FB1} ×0.9V, C _{SS} =0.01 μF Time until Lx pin oscillates | 9 | 15 | 24 | ms | ③ |
| Efficiency ⁽³⁾ | EFFI | Connected to external components, I _{OUT} =1A | - | 91 | - | % | ① |
| SYNC 'H' Voltage | V _{SYNCH} | Connected to external components, I _{OUT} =0mA | 1.5 | - | 6 | V | ② |
| SYNC 'L' Voltage | V _{SYNCL} | Connected to external components, I _{OUT} =0mA | - | - | 0.4 | V | ② |
| SYNC 'H' Current | I _{SYNCH} | V _{IN} =V _{CE} =30V, V _{SYNC} =6V, V _{FB} =0.95V | -0.1 | 0 | 0.1 | μA | ④ |
| SYNC 'L' Current | I _{SYNCL} | V _{IN} =V _{CE} =30V, V _{SYNC} =0V, V _{FB} =0.95V | -0.1 | 0 | 0.1 | μA | ④ |
| FB 'H' Current | I _{FBH} | V _{IN} =V _{CE} =30V, V _{FB} =6V, V _{SS} =6V | -0.1 | 0 | 0.1 | V | ④ |
| FB 'L' Current | I _{FBL} | V _{IN} =V _{CE} =30V, V _{FB} =0V, V _{SS} =6V | -0.1 | 0 | 0.1 | V | ④ |
| CE 'H' Voltage | V _{CEH} | V _{CE} =1.0V→2.8V, V _{FB} =0.65V, V _{SS} =6V V _{CE} Voltage when Lx pin voltage changes from "L" level to "H" | 2.8 | - | 30 | V | ③ |
| CE 'L' Voltage | V _{CEL} | V _{CE} =2.8V→1.0V, V _{FB} =0.65V, V _{SS} =6V V _{CE} Voltage when Lx pin voltage changes from "H" level to "L" | - | - | 1 | V | ③ |
| CE 'H' Current | I _{CEH} | V _{IN} =V _{CE} =30V, V _{FB} =0.95V | -0.1 | 0 | 0.1 | μA | ④ |
| CE 'L' Current | I _{CEL} | V _{IN} =30V, V _{CE} =0V, V _{FB} =0.95V | -0.1 | 0 | 0.1 | μA | ④ |
| Thermal Shutdown Temperature | T _{TSD} | Junction Temperature | - | 150 | - | °C | - |
| Hysteresis Width | T _{HYS} | Junction Temperature | - | 25 | - | °C | - |

NOTE:

Unless otherwise stated, V_{IN}=V_{CE}=12V, V_{SYNC}=2V, V_{SS}=2V

External Components: Unless otherwise stated, L=22 μH, C_{IN}=10 μF, C_L=47 μF, C_{BST}=1 μF, R_{FB1}=2kΩ, R_{FB2}=390Ω, C_{FB}=10nF

⁽¹⁾ Limited by a minimum ON time of 0.22 μs (TYP.).

⁽²⁾ Current limit denotes the level of detection at peak of coil current.

⁽³⁾ EFFI=[(output voltage × output current)÷(input voltage × input current)]×100

ELECTRICAL CHARACTERISTICS (Continued)

●XC9251A/B083

Ta=25°C

| PARAMETER | SYMBOL | CONDITIONS | MIN. | TYP. | MAX. | UNITS | CIRCUIT |
|--|---|---|------------------------|------------------|--|--------|---------|
| FB Voltage | V _{FB1} | V _{FB} =0.816V→0.784V, V _{SS} =6V V _{FB} Voltage when Lx pin oscillates | 0.784 | 0.8 | 0.816 | V | ③ |
| FB Voltage Temperature Characteristics | $\frac{\Delta V_{FB}}{(\Delta T_{opr} \cdot V_{FB})}$ | -40°C ≤ T _{opr} ≤ 105°C | - | ±50 | - | ppm/°C | ③ |
| Output Voltage Setting Range | V _{OUTSET} | - | 1.2 ^(*) | - | V _{IN} -3 or 12 ^(**) | V | - |
| Operating Voltage Range | V _{IN} | - | 7 | - | 30 | V | - |
| UVLO detect voltage | V _{UVLO1} | V _{IN} =4.9V→4.3V, V _{FB} =0.65V, V _{SS} =6V V _{IN} Voltage when Lx pin voltage changes from "H" level to "L" level | 4.3 | 4.6 | 4.9 | V | ③ |
| UVLO release voltage | V _{UVLO2} | V _{IN} =4.7V→5.3V, V _{FB} =0.65V, V _{SS} =6V V _{IN} Voltage when Lx pin voltage changes from "L" level to "H" level | 4.7 | 5.0 | 5.3 | V | ③ |
| Quiescent Current | I _q | V _{IN} =V _{CE} =30V, V _{FB} =0.95V | - | 200 | 310 | μA | ④ |
| Stand-by Current | I _{STB} | V _{IN} =30V, V _{CE} =0V, V _{SS} =0V, V _{SYNC} =0V | - | 0.01 | 0.1 | μA | ④ |
| Oscillation Frequency | f _{OSC} | Connected to external components, I _{OUT} =300mA | 270 | 300 | 330 | kHz | ① |
| External Clock Signal Synchronized Frequency | SYNCOSC | Connected to external components, I _{OUT} =0mA | f _{osc} ×0.75 | f _{osc} | f _{osc} ×1.25 | kHz | ② |
| External Clock Signal Duty Cycle | D _{SYNC} | Connected to external components, I _{OUT} =0mA | 25 | - | 75 | % | ② |
| Maximum Duty Cycle | D _{MAX} | V _{FB} =0.65V | 83 | 85 | 88 | % | ③ |
| Minimum Duty Cycle | D _{MIN} | V _{FB} =0.95V | - | - | 0 | % | ③ |
| Lx SW On Resistance | R _{LX} | V _{FB} =0.65V, V _{SS} =6V | - | 0.3 | 0.6 | Ω | ③ |
| PFM Switch Current | I _{PFM} | Connected to external components, I _{OUT} =0mA | 80 | 160 | 240 | mA | ① |
| Current Limit ^(*) | I _{LIM} | V _{FB} =0.65V, V _{SS} =6V | 2.4 | 3.2 | - | A | ③ |
| Latch Time | t _{LAT} | XC9251A series only, Connected to external components, V _{FB} =0.65V, V _{SS} =6V | 0.8 | 1.3 | 1.8 | ms | ⑤ |
| Short Detect Voltage | V _{SHORT} | XC9251B series only, Connected to external components, V _{FB} =0.45V→0.35V, V _{SS} =6V V _{FB} Voltage when Oscillation Frequency is decreased | 0.35 | 0.40 | 0.45 | V | ⑤ |
| Internal Soft-start Time | t _{SS1} | V _{CE} =0→12V, V _{SS} =6V, V _{FB} =V _{FB1} ×0.9V Time until Lx pin oscillates | 0.8 | 1.3 | 2.0 | ms | ③ |
| External Soft-start Time | t _{SS2} | V _{CE} =0→12V, V _{SS} =6V, V _{FB} =V _{FB1} ×0.9V, C _{SS} =0.01 μF Time until Lx pin oscillates | 9 | 15 | 24 | ms | ③ |
| Efficiency ^(*) | EFFI | Connected to external components, I _{OUT} =1A | - | 91 | - | % | ① |
| SYNC 'H' Voltage | V _{SYNCH} | Connected to external components, I _{OUT} =0mA | 1.5 | - | 6 | V | ② |
| SYNC 'L' Voltage | V _{SYNCL} | Connected to external components, I _{OUT} =0mA | - | - | 0.4 | V | ② |
| SYNC 'H' Current | I _{SYNCH} | V _{IN} =V _{CE} =30V, V _{SYNC} =6V, V _{FB} =0.95V | -0.1 | 0 | 0.1 | μA | ④ |
| SYNC 'L' Current | I _{SYNCL} | V _{IN} =V _{CE} =30V, V _{SYNC} =0V, V _{FB} =0.95V | -0.1 | 0 | 0.1 | μA | ④ |
| FB 'H' Current | I _{FBH} | V _{IN} =V _{CE} =30V, V _{FB} =6V, V _{SS} =6V | -0.1 | 0 | 0.1 | V | ④ |
| FB 'L' Current | I _{FB L} | V _{IN} =V _{CE} =30V, V _{FB} =0V, V _{SS} =6V | -0.1 | 0 | 0.1 | V | ④ |
| CE 'H' Voltage | V _{CEH} | V _{CE} =1.0V→2.8V, V _{FB} =0.65V, V _{SS} =6V V _{CE} Voltage when Lx pin voltage changes from "L" level to "H" | 2.8 | - | 30 | V | ③ |
| CE 'L' Voltage | V _{CEL} | V _{CE} =2.8V→1.0V, V _{FB} =0.65V, V _{SS} =6V V _{CE} Voltage when Lx pin voltage changes from "H" level to "L" | - | - | 1 | V | ③ |
| CE 'H' Current | I _{CEH} | V _{IN} =V _{CE} =30V, V _{FB} =0.95V | -0.1 | 0 | 0.1 | μA | ④ |
| CE 'L' Current | I _{CEL} | V _{IN} =30V, V _{CE} =0V, V _{FB} =0.95V | -0.1 | 0 | 0.1 | μA | ④ |
| Thermal Shutdown Temperature | T _{TSD} | Junction Temperature | - | 150 | - | °C | - |
| Hysteresis Width | T _{HYS} | Junction Temperature | - | 25 | - | °C | - |

NOTE:

Unless otherwise stated, V_{IN}=V_{CE}=12V, V_{SYNC}=2V, V_{SS}=2V

External Components: Unless otherwise stated, L=22 μH, C_{IN}=10 μF, C_L=47 μF, C_{BST}=1 μF, R_{FB1}=2kΩ, R_{FB2}=390Ω, C_{FB}=10nF

(*) Limited by a minimum ON time of 0.22 μs (TYP.).

(**) V_{IN}-3 or 12, whichever is lower.

(*) Current limit denotes the level of detection at peak of coil current.

(*) EFFI=[(output voltage × output current)÷(input voltage × input current)]×100

ELECTRICAL CHARACTERISTICS (Continued)

●XC9250A/B085

Ta=25°C

| PARAMETER | SYMBOL | CONDITIONS | MIN. | TYP. | MAX. | UNITS | CIRCUIT |
|--|--|---|------------------------|------------------|------------------------|--------|---------|
| FB Voltage | V _{FB1} | V _{FB} =0.816V→0.784V, V _{SS} =6V V _{FB} Voltage when Lx pin oscillates | 0.784 | 0.8 | 0.816 | V | ③ |
| FB Voltage Temperature Characteristics | $\frac{\Delta V_{FB}}{(\Delta T_{OP} \cdot V_{FB})}$ | -40°C ≤ T _{OP} ≤ 105°C | - | ±50 | - | ppm/°C | ③ |
| Output Voltage Setting Range | V _{OUTSET} | | 1.2 ^(*) | - | 12 | V | - |
| Operating Voltage Range | V _{IN} | | 7 | - | 30 | V | - |
| UVLO detect voltage | V _{UVLO1} | V _{IN} =4.9V→4.3V, V _{FB} =0.65V, V _{SS} =6V V _{IN} Voltage when Lx pin voltage changes from "H" level to "L" level | 4.3 | 4.6 | 4.9 | V | ③ |
| UVLO release voltage | V _{UVLO2} | V _{IN} =4.7V→5.3V, V _{FB} =0.65V, V _{SS} =6V V _{IN} Voltage when Lx pin voltage changes from "L" level to "H" level | 4.7 | 5.0 | 5.3 | V | ③ |
| Quiescent Current | I _q | V _{IN} =V _{CE} =30V, V _{FB} =0.95V | - | 250 | 360 | μA | ④ |
| Stand-by Current | I _{STB} | V _{IN} =30V, V _{CE} =0V, V _{SS} =0V, V _{SYNC} =0V | - | 0.01 | 0.1 | μA | ④ |
| Oscillation Frequency | f _{OSC} | Connected to external components, I _{OUT} =300mA | 450 | 500 | 550 | kHz | ① |
| External Clock Signal Synchronized Frequency | SYNCOSC | Connected to external components, I _{OUT} =0mA | f _{osc} ×0.75 | f _{osc} | f _{osc} ×1.25 | kHz | ② |
| External Clock Signal Duty Cycle | D _{SYNC} | Connected to external components, I _{OUT} =0mA | 25 | - | 75 | % | ② |
| Maximum Duty Cycle | D _{MAX} | V _{FB} =0.65V | 83 | 85 | 88 | % | ③ |
| Minimum Duty Cycle | D _{MIN} | V _{FB} =0.95V | - | - | 0 | % | ③ |
| Lx SW On Resistance | R _{LX} | V _{FB} =0.65V, V _{SS} =6V | - | 0.3 | 0.6 | Ω | ③ |
| Current Limit ^(*) | I _{LIM} | V _{FB} =0.65V, V _{SS} =6V | 2.4 | 3.2 | - | A | ③ |
| Latch Time | t _{LAT} | XC9250A series only, Connected to external components, V _{FB} =0.65V, V _{SS} =6V | 0.4 | 0.7 | 1.0 | ms | ⑤ |
| Short Detect Voltage | V _{SHORT} | XC9250B series only, Connected to external components, V _{FB} =0.45V→0.35V, V _{SS} =6V V _{FB} Voltage when Oscillation Frequency is decreased | 0.35 | 0.40 | 0.45 | V | ⑤ |
| Internal Soft-start Time | t _{SS1} | V _{CE} =0→12V, V _{SS} =6V, V _{FB} =V _{FB1} ×0.9V Time until Lx pin oscillates | 0.4 | 0.7 | 1.2 | ms | ③ |
| External Soft-start Time | t _{SS2} | V _{CE} =0→12V, V _{SS} =6V, V _{FB} =V _{FB1} ×0.9V, C _{SS} =0.01 μF Time until Lx pin oscillates | 5 | 9 | 15 | ms | ③ |
| Efficiency ^(*) | EFFI | Connected to external components, I _{OUT} =1A | - | 91 | - | % | ① |
| SYNC 'H' Voltage | V _{SYNCH} | Connected to external components, I _{OUT} =0mA | 1.5 | - | 6 | V | ② |
| SYNC 'L' Voltage | V _{SYNCL} | Connected to external components, I _{OUT} =0mA | - | - | 0.4 | V | ② |
| SYNC 'H' Current | I _{SYNCH} | V _{IN} =V _{CE} =30V, V _{SYNC} =6V, V _{FB} =0.95V | -0.1 | 0 | 0.1 | μA | ④ |
| SYNC 'L' Current | I _{SYNCL} | V _{IN} =V _{CE} =30V, V _{SYNC} =0V, V _{FB} =0.95V | -0.1 | 0 | 0.1 | μA | ④ |
| FB 'H' Current | I _{FBH} | V _{IN} =V _{CE} =30V, V _{FB} =6V, V _{SS} =6V | -0.1 | 0 | 0.1 | V | ④ |
| FB 'L' Current | I _{FB L} | V _{IN} =V _{CE} =30V, V _{FB} =0V, V _{SS} =6V | -0.1 | 0 | 0.1 | V | ④ |
| CE 'H' Voltage | V _{CEH} | V _{CE} =1.0V→2.8V, V _{FB} =0.65V, V _{SS} =6V V _{CE} Voltage when Lx pin voltage changes from "L" level to "H" | 2.8 | - | 30 | V | ③ |
| CE 'L' Voltage | V _{CEL} | V _{CE} =2.8V→1.0V, V _{FB} =0.65V, V _{SS} =6V V _{CE} Voltage when Lx pin voltage changes from "H" level to "L" | - | - | 1 | V | ③ |
| CE 'H' Current | I _{CEH} | V _{IN} =V _{CE} =30V, V _{FB} =0.95V | -0.1 | 0 | 0.1 | μA | ④ |
| CE 'L' Current | I _{CEL} | V _{IN} =30V, V _{CE} =0V, V _{FB} =0.95V | -0.1 | 0 | 0.1 | μA | ④ |
| Thermal Shutdown Temperature | T _{TSD} | Junction Temperature | - | 150 | - | °C | - |
| Hysteresis Width | T _{HYS} | Junction Temperature | - | 25 | - | °C | - |

NOTE:

Unless otherwise stated, V_{IN}=V_{CE}=12V, V_{SYNC}=2V, V_{SS}=2V

External Components: Unless otherwise stated, L=22 μH, C_{IN}=10 μF, C_L=47 μF, C_{BST}=1 μF, R_{FB1}=2kΩ, R_{FB2}=390Ω, C_{FB}=10nF

(*) Limited by a minimum ON time of 0.15 μs (TYP.).

(*) Current limit denotes the level of detection at peak of coil current.

(*) EFFI=[(output voltage × output current)÷(input voltage × input current)]×100

ELECTRICAL CHARACTERISTICS (Continued)

●XC9251A/B085

Ta=25°C

| PARAMETER | SYMBOL | CONDITIONS | MIN. | TYP. | MAX. | UNITS | CIRCUIT |
|--|--|---|------------------------|------------------|--|--------|---------|
| FB Voltage | V _{FB1} | V _{FB} =0.816V→0.784V, V _{SS} =6V V _{FB} Voltage when Lx pin oscillates | 0.784 | 0.8 | 0.816 | V | ③ |
| FB Voltage Temperature Characteristics | $\frac{\Delta V_{FB}}{(\Delta T_{OP} \cdot V_{FB})}$ | -40°C ≤ Topr ≤ 105°C | - | ±50 | - | ppm/°C | ③ |
| Output Voltage Setting Range | V _{OUTSET} | | 1.2 ^(*) | - | V _{IN} -3 or 12 ^(**) | V | - |
| Operating Voltage Range | V _{IN} | | 7 | - | 30 | V | - |
| UVLO detect voltage | V _{UVLO1} | V _{IN} =4.9V→4.3V, V _{FB} =0.65V, V _{SS} =6V V _{IN} Voltage when Lx pin voltage changes from "H" level to "L" level | 4.3 | 4.6 | 4.9 | V | ③ |
| UVLO release voltage | V _{UVLO2} | V _{IN} =4.7V→5.3V, V _{FB} =0.65V, V _{SS} =6V V _{IN} Voltage when Lx pin voltage changes from "L" level to "H" level | 4.7 | 5.0 | 5.3 | V | ③ |
| Quiescent Current | I _q | V _{IN} =V _{CE} =30V, V _{FB} =0.95V | - | 250 | 360 | μA | ④ |
| Stand-by Current | I _{STB} | V _{IN} =30V, V _{CE} =0V, V _{SS} =0V, V _{SYNC} =0V | - | 0.01 | 0.1 | μA | ④ |
| Oscillation Frequency | f _{OSC} | Connected to external components, I _{OUT} =300mA | 450 | 500 | 550 | kHz | ① |
| External Clock Signal Synchronized Frequency | SYNCOSC | Connected to external components, I _{OUT} =0mA | f _{osc} ×0.75 | f _{osc} | f _{osc} ×1.25 | kHz | ② |
| External Clock Signal Duty Cycle | D _{SYNC} | Connected to external components, I _{OUT} =0mA | 25 | - | 75 | % | ② |
| Maximum Duty Cycle | D _{MAX} | V _{FB} =0.65V | 83 | 85 | 88 | % | ③ |
| Minimum Duty Cycle | D _{MIN} | V _{FB} =0.95V | - | - | 0 | % | ③ |
| Lx SW On Resistance | R _{LX} | V _{FB} =0.65V, V _{SS} =6V | - | 0.3 | 0.6 | Ω | ③ |
| PFM Switch Current | I _{PFM} | Connected to external components, I _{OUT} =0mA | 80 | 160 | 240 | mA | ① |
| Current Limit ^(*) | I _{LIM} | V _{FB} =0.65V, V _{SS} =6V | 2.4 | 3.2 | - | A | ③ |
| Latch Time | t _{LAT} | XC9251A series only, Connected to external components, V _{FB} =0.65V, V _{SS} =6V | 0.4 | 0.7 | 1.0 | ms | ⑤ |
| Short Detect Voltage | V _{SHORT} | XC9251B series only, Connected to external components, V _{FB} =0.45V→0.35V, V _{SS} =6V V _{FB} Voltage when Oscillation Frequency is decreased | 0.35 | 0.40 | 0.45 | V | ⑤ |
| Internal Soft-Start Time | t _{SS1} | V _{CE} =0→12V, V _{SS} =6V, V _{FB} =V _{FB1} ×0.9V Time until Lx pin oscillates | 0.4 | 0.7 | 1.2 | ms | ③ |
| External Soft-Start Time | t _{SS2} | V _{CE} =0→12V, V _{SS} =6V, V _{FB} =V _{FB1} ×0.9V, C _{SS} =0.01 μF Time until Lx pin oscillates | 5 | 9 | 15 | ms | ③ |
| Efficiency ^(*) | EFFI | Connected to external components, I _{OUT} =1A | - | 91 | - | % | ① |
| SYNC 'H' Voltage | V _{SYNCH} | Connected to external components, I _{OUT} =0mA | 1.5 | - | 6 | V | ② |
| SYNC 'L' Voltage | V _{SYNCL} | Connected to external components, I _{OUT} =0mA | - | - | 0.4 | V | ② |
| SYNC 'H' Current | I _{SYNCH} | V _{IN} =V _{CE} =30V, V _{SYNC} =6V, V _{FB} =0.95V | -0.1 | 0 | 0.1 | μA | ④ |
| SYNC 'L' Current | I _{SYNCL} | V _{IN} =V _{CE} =30V, V _{SYNC} =0V, V _{FB} =0.95V | -0.1 | 0 | 0.1 | μA | ④ |
| FB 'H' Current | I _{FBH} | V _{IN} =V _{CE} =30V, V _{FB} =6V, V _{SS} =6V | -0.1 | 0 | 0.1 | V | ④ |
| FB 'L' Current | I _{FBL} | V _{IN} =V _{CE} =30V, V _{FB} =0V, V _{SS} =6V | -0.1 | 0 | 0.1 | V | ④ |
| CE 'H' Voltage | V _{CEH} | V _{CE} =0.8V→2.8V, V _{FB} =0.65V, V _{SS} =6V V _{CE} Voltage when Lx pin voltage changes from "L" level to "H" | 2.8 | - | 30 | V | ③ |
| CE 'L' Voltage | V _{CEL} | V _{CE} =2.8V→0.8V, V _{FB} =0.65V, V _{SS} =6V V _{CE} Voltage when Lx pin voltage changes from "H" level to "L" | - | - | 1 | V | ③ |
| CE 'H' Current | I _{CEH} | V _{IN} =V _{CE} =30V, V _{FB} =0.95V | -0.1 | 0 | 0.1 | μA | ④ |
| CE 'L' Current | I _{CEL} | V _{IN} =30V, V _{CE} =0V, V _{FB} =0.95V | -0.1 | 0 | 0.1 | μA | ④ |
| Thermal Shutdown Temperature | T _{TSD} | Junction Temperature | - | 150 | - | °C | - |
| Hysteresis Width | T _{HYS} | Junction Temperature | - | 25 | - | °C | - |

NOTE:

Unless otherwise stated, V_{IN}=V_{CE}=12V, V_{SYNC}=2V, V_{SS}=2V

External Components: Unless otherwise stated, L=22 μH, C_{IN}=10 μF, C_L=47 μF, C_{BST}=1 μF, R_{FB1}=2kΩ, R_{FB2}=390Ω, C_{FB}=10nF

(*) Limited by a minimum ON time of 0.15 μs (TYP).

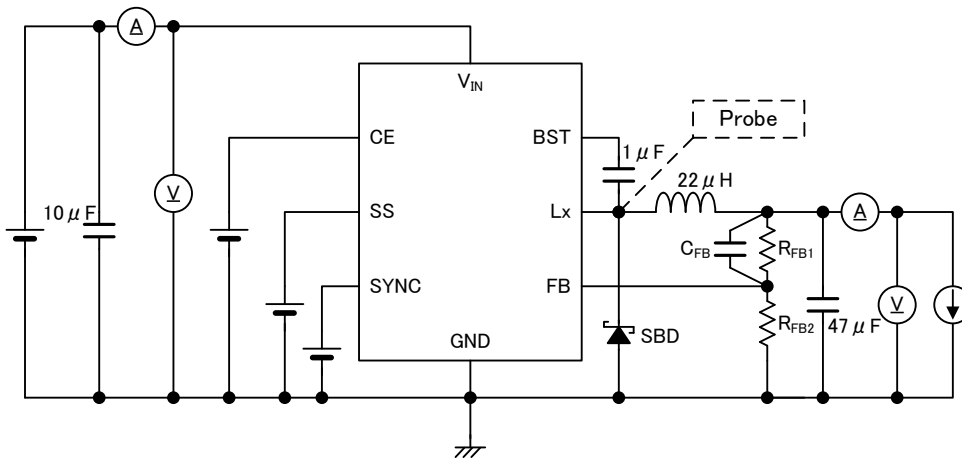
(**) V_{IN}-3 or 12, whichever is lower.

(*) Current limit denotes the level of detection at peak of coil current.

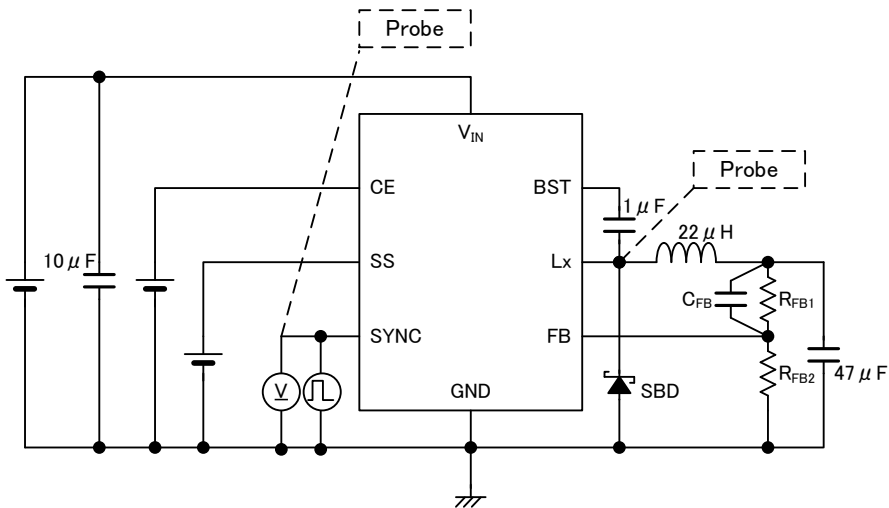
(*) EFFI=[(output voltage × output current)÷(input voltage × input current)]×100

TEST CIRCUITS

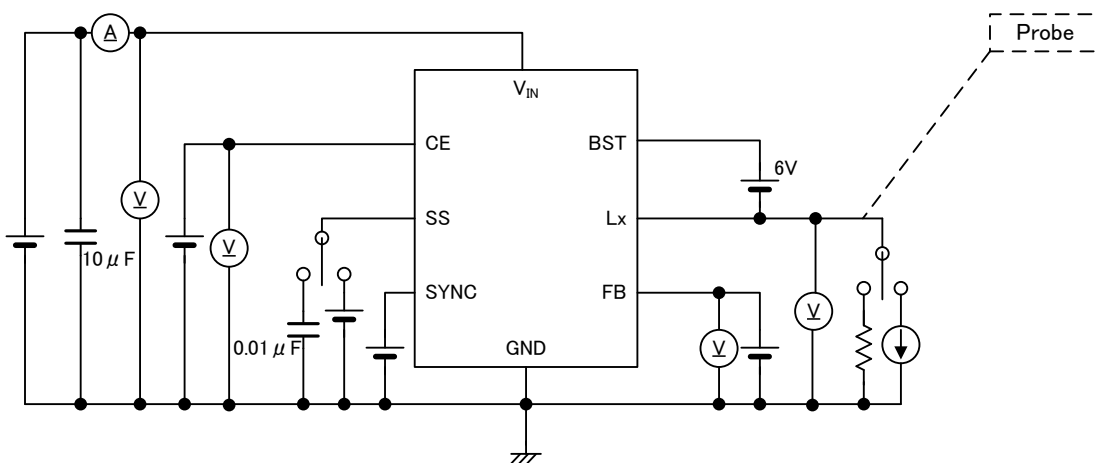
Circuit①



Circuit②

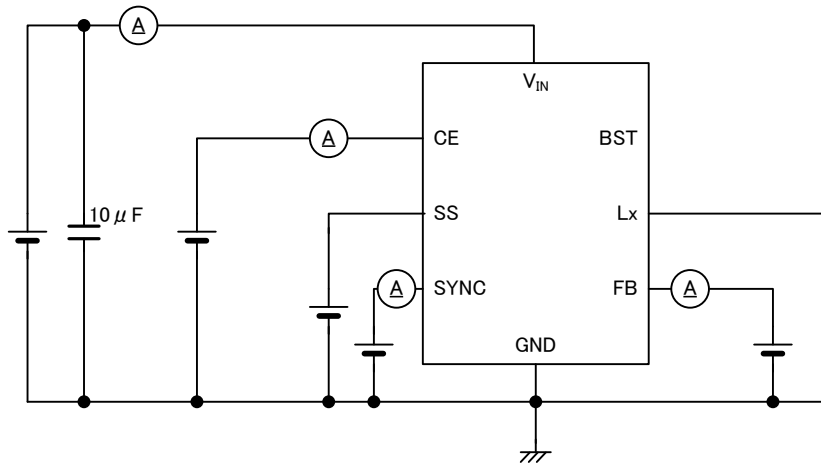


Circuit③

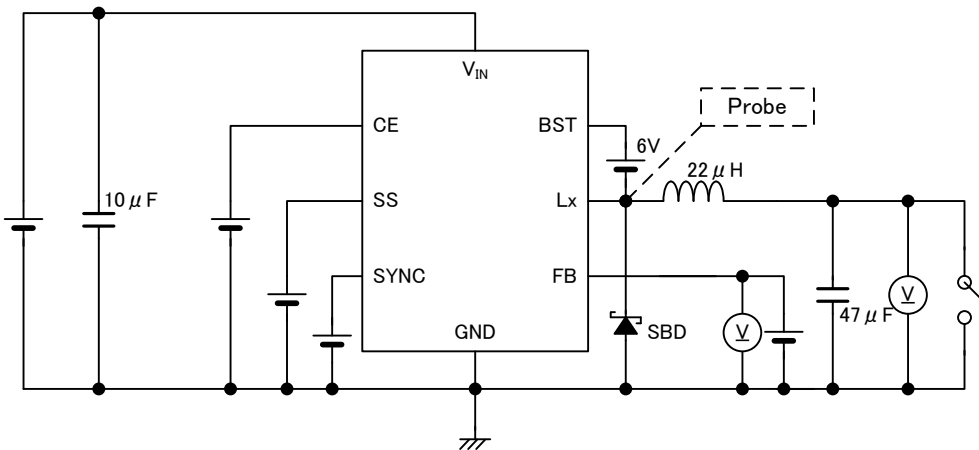


■ TEST CIRCUITS (Continued)

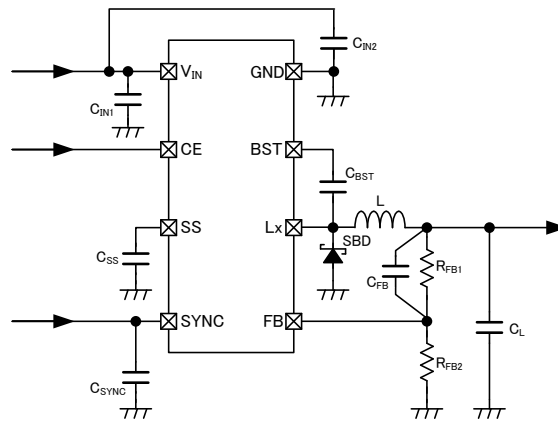
Circuit④



Circuit⑤



TYPICAL APPLICATION CIRCUIT



【Typical Examples】

| | MANUFACTURER | PRODUCT NUMBER | VALUE |
|-------|--------------|----------------|----------------------------------|
| L | TDK | CLF12555-150M | 15 μ H |
| | | CLF12555-220M | 22 μ H |
| | | CLF12555-330M | 33 μ H |
| | Toho Zinc | TCM-0840-200 | 20 μ H |
| CIN1 | Murata | GRM32ER71H106K | 10 μ F/50V |
| CIN2 | Murata | GRM21BB31H105K | 1 μ F/50V |
| CL | Murata | GRM32ER71A476K | 47 μ F/10V |
| | | GRM32ER71E226K | 22 μ F/25V 2parallel |
| | Panasonic | 25SVPD47M | 47 μ F/25V, ESR=30m Ω |
| SBD | TOSHIBA | CMS15 | V _F =0.58V (3A) |
| CSS | | | 0.01 μ F/10V ^{(*)1} |
| CSYNC | | | 1000pF/10V ^{(*)2} |
| CBST | | | 1 μ F/10V |

^{(*)1} Can also be used without C_{SS} (SS pin OPEN). When used without C_{SS}, the IC starts at the soft start time set internally.

^{(*)2} Can be used without C_{SYNC} if the external CLK synchronization function is not used. In this case, connect the SYNC pin to GND in close proximity to the IC.

<Output voltage setting>

The output voltage can be set by adding an external dividing resistor. The output voltage is determined by the equation below based on the values of R_{FB1} and R_{FB2}.

$$V_{OUT} = 0.8 \times (R_{FB1} + R_{FB2}) / R_{FB2}$$

with R_{FB2} ≤ 15k Ω

Adjust the value of the phase compensation speed-up capacitor. Adjust the C_{FB} value so that fz_{fb} = 1/(2 × π × C_{FB} × R_{FB1}) is about 10kHz.

【Setting Example】

When R_{FB1}=68k Ω , R_{FB2}=13k Ω , V_{OUT}=0.8×(68k Ω +13k Ω) / 13k Ω ≒ 4.98V

When fz_{fb} is set to a target of 10.64kHz using the above equation, C_{FB}=1/(2× π ×10.64kHz×68k Ω) ≒ 220pF

If the dropout voltage is too large and the minimum Lx ON time is not attained, pulse skipping will occur and the output voltage will not be stable. Use with an Lx ON time longer than the minimum. The minimum ON time is 0.22 μ s (TYP.) at a set frequency of 300kHz, or 0.15 μ s (TYP.) at a set frequency of 500kHz.

■ TYPICAL APPLICATION CIRCUIT (Continued)

<Inductance value setting>

In the XC9250 and XC9251 series, it is optimum to set an inductance value within the range below based on the set frequency and setting output voltage.

f_{OSCSET} : Set frequency

V_{OUTSET} : Setting output voltage

| f_{OSCSET} | $1.2V \leq V_{OUTSET} \leq 6V$ | $6V < V_{OUTSET} \leq 12V$ |
|--------------|--------------------------------|----------------------------|
| 300kHz | 20 μH 22 μH | 33 μH |
| 500kHz | 15 μH | 20 μH 22 μH |

<Soft-start function>

The soft start time of the XC9250 and XC9251 series can be adjusted externally (SS pin). The soft start time is the time from the start of V_{CE} until the output voltage reaches 90% of the set voltage. The soft start time depends on the external capacitance C_{SS} , and is determined by the equation below.

$$t_{SS2} = 1.08 \times C_{SS} / I_{SS} \text{ [ms]}$$

C_{SS} : External capacitance [nF]

I_{SS} : When $f_{OSCSET}=300\text{kHz}$, 0.72 [μA (TYP.)] When $f_{OSCSET}=500\text{kHz}$, 1.2 [μA (TYP.)]

f_{OSCSET} : Set frequency [kHz]

* Note that the value of the soft start time t_{SS2} varies depending on the effective capacitance value of the delay capacitance C_{SS} .

【Calculation Example】

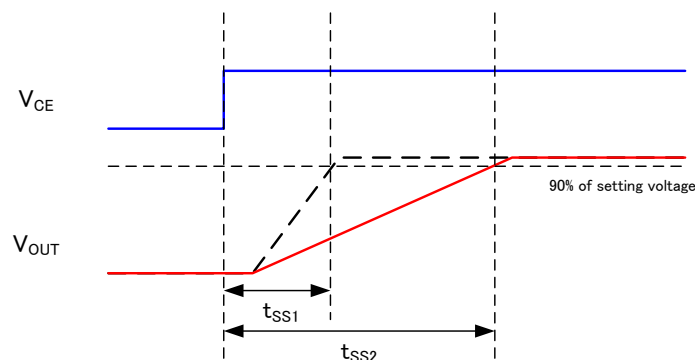
When $f_{OSCSET}=300\text{kHz}$ and $C_{SS}=10\text{nF}$, $t_{SS2}=1.08 \times 10 / 0.72=15\text{ms}$

When $f_{OSCSET}=500\text{kHz}$ and $C_{SS}=10\text{nF}$, $t_{SS2}=1.08 \times 10 / 1.2=9\text{ms}$

The minimum value t_{SS2} of the soft-start time is set internally. The internal soft-start time t_{SS1} is determined by the equation below.

When $f_{OSCSET}=300\text{kHz}$, $t_{SS1}=1.3\text{ms}$ (TYP.)

When $f_{OSCSET}=500\text{kHz}$, $t_{SS1}=0.7\text{ms}$ (TYP.)



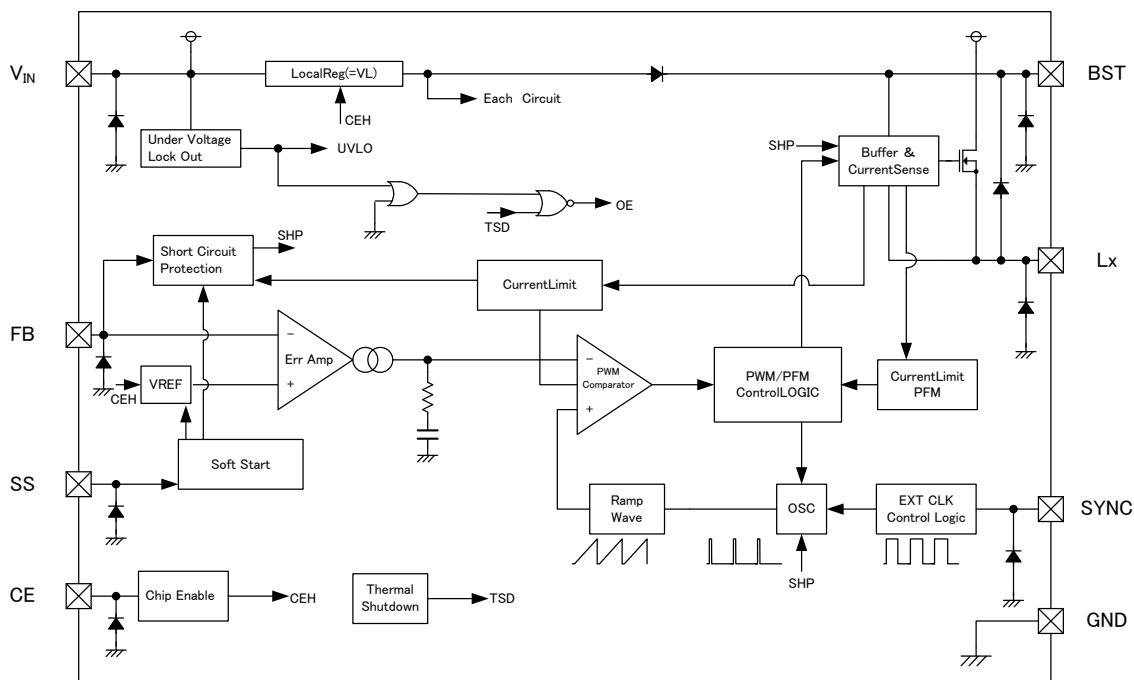
OPERATIONAL EXPLANATION

The XC9250/XC9251 series consists internally of a reference voltage supply, ramp wave circuit, error amp, PWM comparator, phase compensation circuit, N-ch MOS driver transistor, current limiting circuit, under-voltage lockout (UVLO) circuit, internal power supply (VL) circuit, thermal shutdown (TSD) circuit, oscillator (OSC) circuit, soft-start circuit, control block and other elements.

The voltage feed back from the FB pin is compared to the internal reference voltage by the error amp, the output from the error amp is phase compensated, and the signal is input to the PWM comparator to determine the ON time of switching during PWM operation. The output signal from the error amp is compared to the ramp wave by the PWM comparator, and the output is sent to the buffer drive circuit and output from the Lx pin as the duty width of switching. This operation is performed continuously to stabilize the output voltage.

The driver transistor current is monitored at each switching by the output signal from the error amp is modulated as a multi-feedback signal. This allows a stable feedback system to be obtained even when a low ESR capacitor such as a ceramic capacitor is used, and this stabilizes the output voltage.

Because the IC uses an N-ch MOS transistor for the Hi side driver, a voltage higher than the V_{IN} voltage is required to turn on the driver. To generate a voltage higher than the V_{IN} voltage, the bootstrap method is used.



XC9251 Series, Type B

<Reference voltage source>

The reference voltage source provides the reference voltage to ensure stable output voltage of the DC/DC converter.

<Oscillator circuit>

The ramp wave circuit determines switching frequency. The frequency is fixed internally and can be selected from 300kHz, 500 kHz. Clock pulses generated in this circuit are used to produce ramp waveforms needed for PWM operation.

<Error amplifier>

The error amplifier is designed to monitor output voltage. The amplifier compares the reference voltage with the feedback voltage divided by the internal split resistors, R_{FB1} and R_{FB2} . When a voltage is lower than the reference voltage, then the voltage is fed back, the output voltage of the error amplifier increases. The error amplifier output is fixed internally to deliver an optimized signal to the mixer which is a part of a PWM comparator.

<Chip enable>

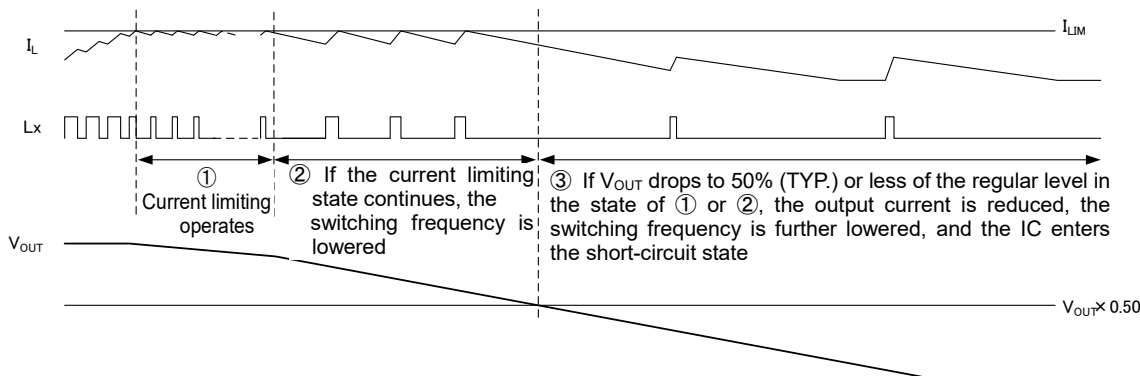
The XC9250/XC9251 series can be put in the standby state by inputting L level into the CE pin. In the standby state, the quiescent current of the IC is 0.01 μ A (TYP.). When H level is input into CE pin, operation starts. The input of the CE pin is CMOS input and the sink current is 0 μ A (TYP.).

OPERATIONAL EXPLANATION (Continued)

<Current limiting, short-circuit protection>

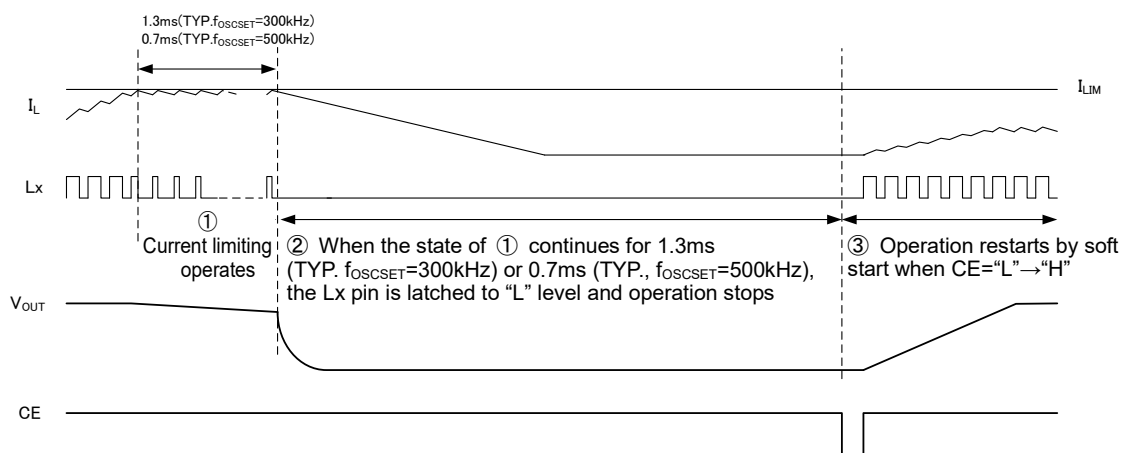
The current limiting circuits of type B combine both current limiting and short-circuit protection.

- (1) The current in the N-ch MOS driver transistor connected to the Lx pin is monitored, and when the load current attains the limiting current, the current limiting circuit activates and the output voltage drops.
- (2) As the current limiting state continues, the switching frequency drops to prevent coil current (I_L) overlay. When the current limiting state is released, the switching frequency returns to the set frequency.
- (3) If the output voltage drops further from states (2), the output current is limited, the switching frequency is lowered further, and the short-circuit state is entered. When the load becomes lighter than the short-circuit state, restart takes place automatically. To prevent overshoot during restart, restart takes place by soft-start.



<Integral latch protection>

When the current limiting state continues for a certain time, the correct limiting circuit of type A latches and stops the Lx pin in the "H" level state (turning off the driver Tr). To restart operation by soft-start once in the latch stop state, "L" level must be input into the CE pin followed by "H" level, or briefly lowering the V_{IN} voltage below the UVLO detection voltage must be performed.



<Thermal shutdown>

The thermal shutdown (TSD) as an over current limit is built in the XC9250/XC9251 series. When the junction temperature reaches the detection temperature, the driver transistor is forcibly turned off. When the junction temperature falls to the release temperature while in the output stop state, restart takes place by soft-start.

<UVLO>

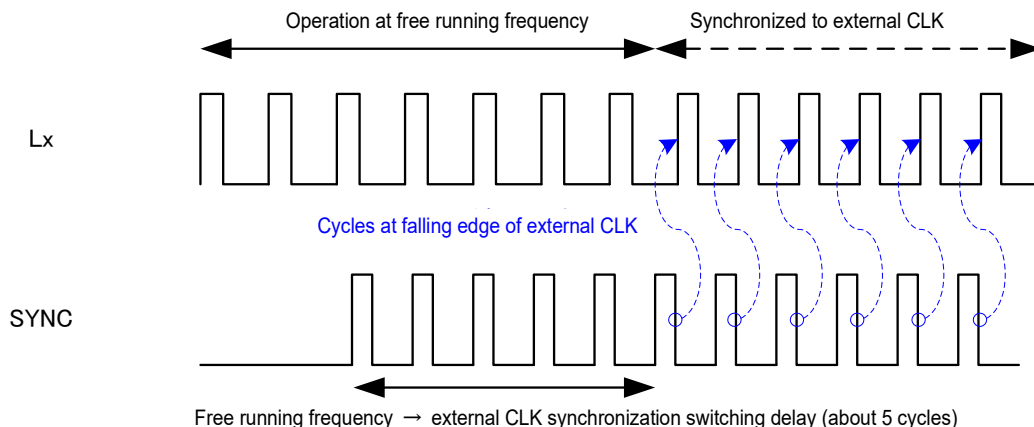
When the V_{IN} pin voltage falls below 4.6V (TYP.), EXTB becomes "H" level and forcibly stops output to prevent false pulse output due to instable operation of the internal circuits. When the V_{IN} pin voltage rises above 5.0V (TYP.), the UVLO function is released, the soft-start function activates, and output start operation begins. Stopping by UVLO is not shutdown; only pulse output is stopped and the internal circuits continue to operate.

OPERATIONAL EXPLANATION (Continued)

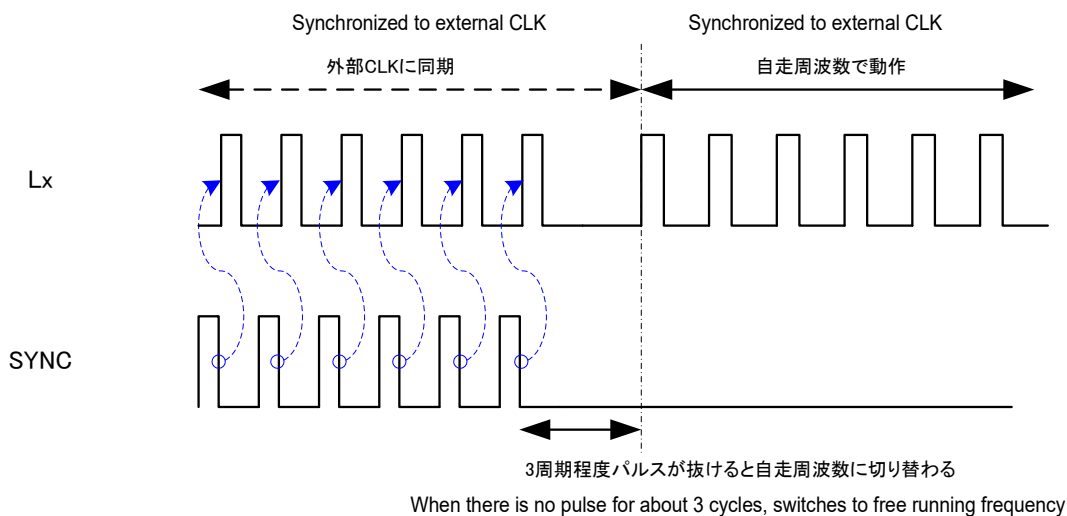
<SYNC function>

When an external CLK ($\pm 25\%$ of free running frequency, on duty 25% to 75%) is input into the SYNC pin, operation is synchronized to the falling edge of the external CLK (external CLK synchronization function). When synchronized to the external CLK, the control mode is automatically PWM control. When the external CLK is fixed at "H" voltage or "L" voltage for about 3 cycles of the free running frequency, external CLK synchronization stops and operation at the free running frequency takes place.

(1) Switching from free running frequency \Rightarrow external CLK synchronization



(2) Switching from external CLK synchronization \Rightarrow free running frequency



■ NOTE ON USE

1. For the phenomenon of temporal and transitional voltage decrease or voltage increase, the IC may be damaged or deteriorated if IC is used beyond the absolute MAX. specifications.
2. Make sure that the absolute maximum ratings of the external components and of this IC are not exceeded.
3. The DC/DC converter characteristics depend greatly on the externally connected components as well as on the characteristics of this IC, so refer to the specifications and standard circuit examples of each component when carefully considering which components to select. Be especially careful of the capacitor characteristics and use B characteristics (JIS standard) or X7R, X5R (EIA standard) ceramic capacitors.
4. The DC/DC converter of this IC uses a current-limiting circuit to monitor the coil peak current. If the potential dropout voltage is large or the load current is large, the peak current will increase, which makes it easier for current limitation to be applied which in turn could cause the operation to become unstable. When the peak current becomes large, adjust the coil inductance and sufficiently check the operation. The following formula is used to show the peak current.

$$\text{Peak Current: } I_{pk} = (V_{IN} - V_{OUT}) \times \text{OnDuty} / (2 \times L \times f_{OSC}) + I_{OUT}$$

L: Coil Inductance [H]

f_{OSC} : Oscillation Frequency [Hz]

I_{OUT} : Load Current [A]

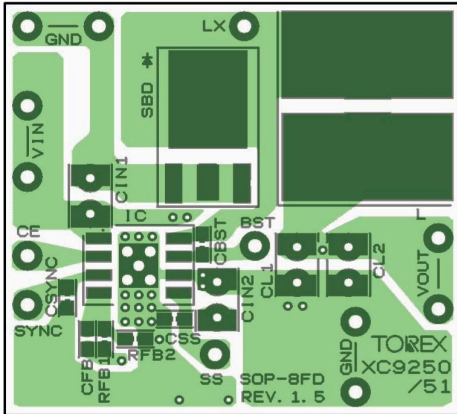
5. If the difference between input voltage and output voltage is large, when the current limit circuit activates, the switching current might overlap and exceed the current limit spec. due to the circuit delay time.
6. The ripple voltage could be increased when switching from discontinuous conduction mode to Continuous conduction mode. Please apply the ICs only after careful examination by the customer.
7. In some cases, ripple voltage may increase in the XC9251 series when the load is light. This is for the purpose of charging the CBST, and is normal operation.
8. The IC enters test mode when a 6V external power supply is applied to the SS pin. Do not apply an external power supply to the SS pin during use.
9. The operation of the IC becomes unstable below the minimum operating voltage.
10. The effects of ambient noise and the state of the circuit board may cause release from the current limiting state, and the latch time may lengthen or latch operation may not take place. Test sufficiently using the actual equipment.
11. When operation changes from free running frequency to external CLK synchronization, the output voltage may fluctuate. Please apply the ICs only after careful examination by the customer.
12. Instructions of pattern layouts

The operation may become unstable due to noise and/or phase lag from the output current when the wire impedance is high, please place the input capacitor(C_{IN1} , C_{IN2}) and the output capacitor (C_L) as close to the IC as possible.

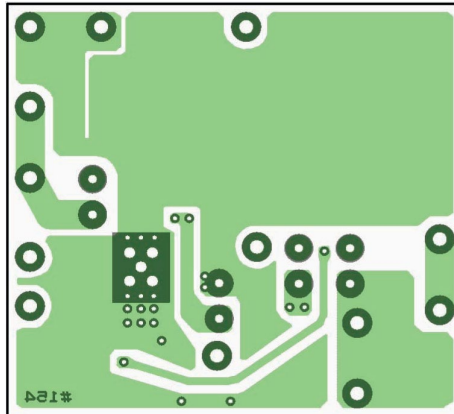
 - (1) In order to stabilize V_{IN} voltage level, we recommend that a by-pass capacitor (C_{IN1}) be connected as close as possible to the V_{IN} pin.
 - (2) In order to stabilize GND voltage level, we recommend that a by-pass capacitor (C_{IN2}) be connected as close as possible to the GND pin.
 - (3) Please mount each external component as close to the IC as possible.
 - (4) Wire external components as close to the IC as possible and use thick, short connecting traces to reduce the circuit impedance.
 - (5) Make sure that the GND traces are as thick as possible, as variations in ground potential caused by high ground currents at the time of switching may result in instability of the IC.
 - (6) Because this product contains an internal driver, heat is generated due to the I_{OUT} current and ON resistance of the N-ch MOS driver transistor.

NOTE ON USE (Continued)

<Reference Pattern Layout>



Front



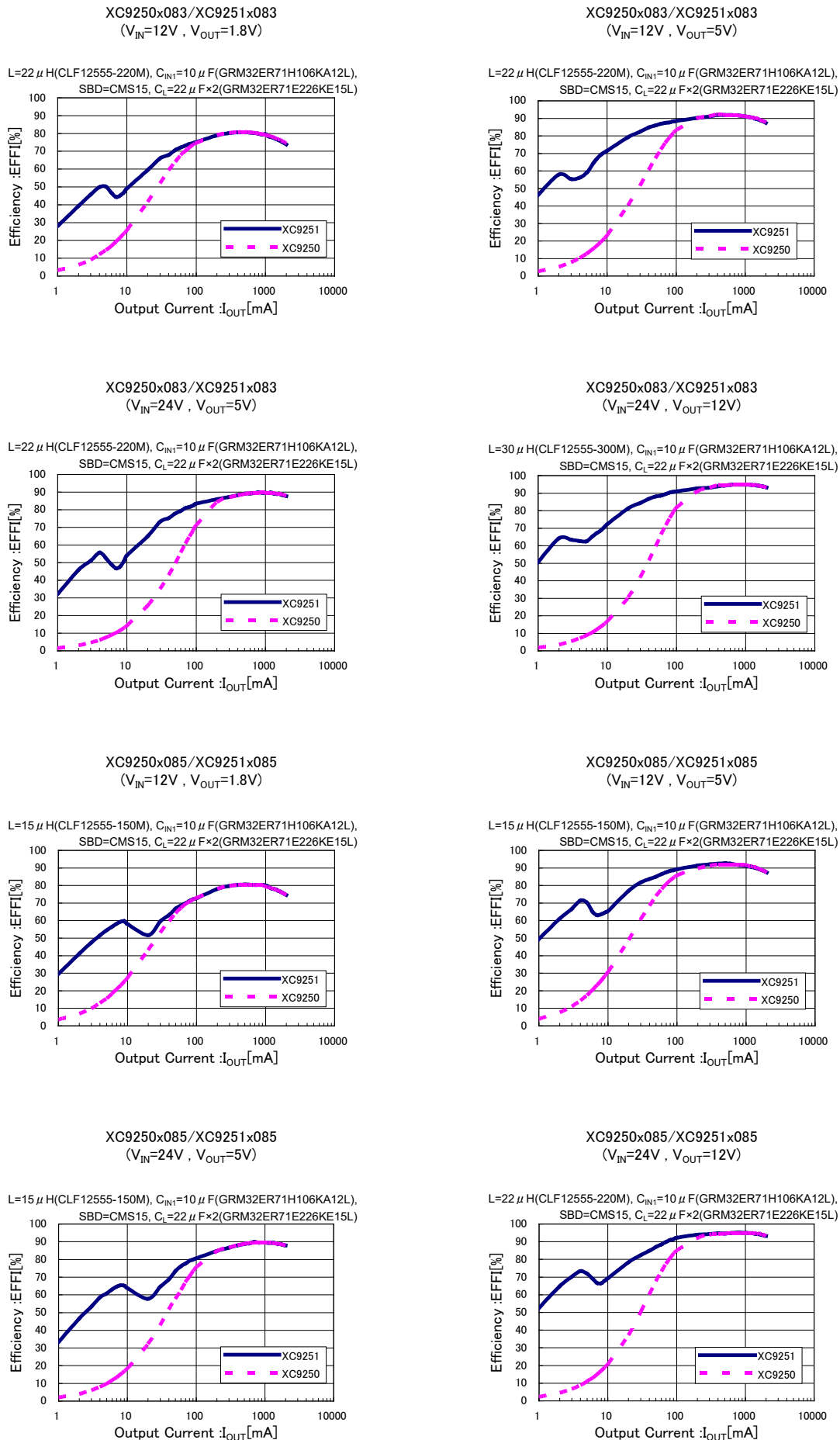
Back

13. Torex places an importance on improving our products and their reliability.

We request that users incorporate fail-safe designs and post-aging protection treatment when using Torex products in their systems.

TYPICAL PERFORMANCE CHARACTERISTICS

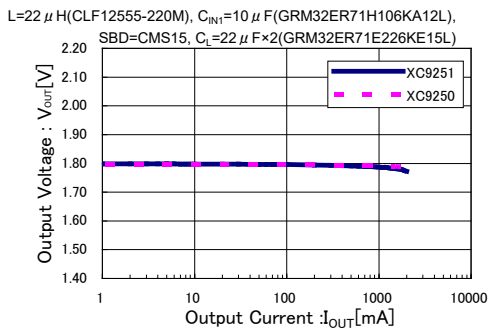
(1) Efficiency vs. Output current



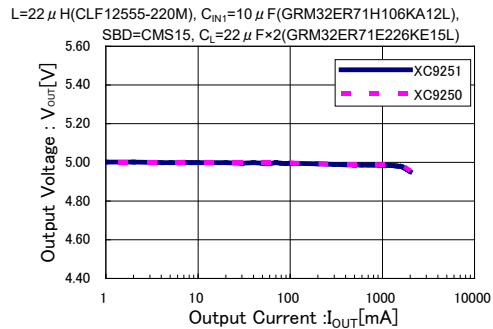
TYPICAL PERFORMANCE CHARACTERISTICS (Continued)

(2) Output Voltage vs. Output Current

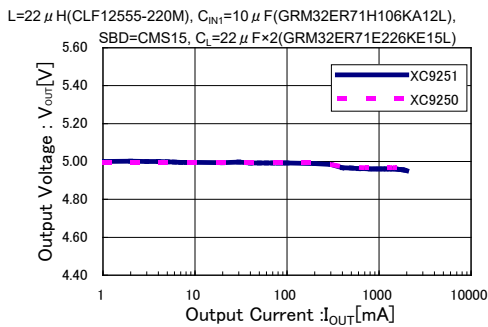
XC9250x083/XC9251x083
($V_{IN}=12V$, $V_{OUT}=1.8V$)



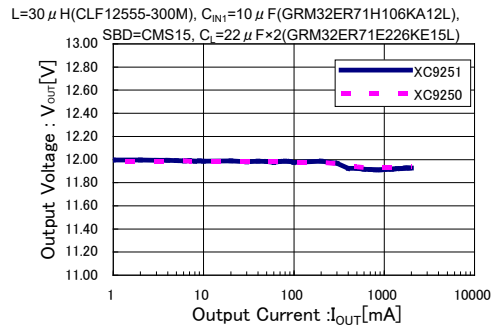
XC9250x083/XC9251x083
($V_{IN}=12V$, $V_{OUT}=5V$)



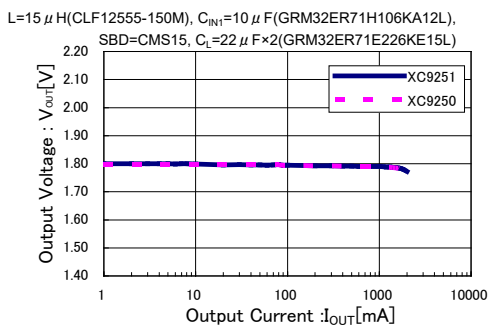
XC9250x083/XC9251x083
($V_{IN}=24V$, $V_{OUT}=5V$)



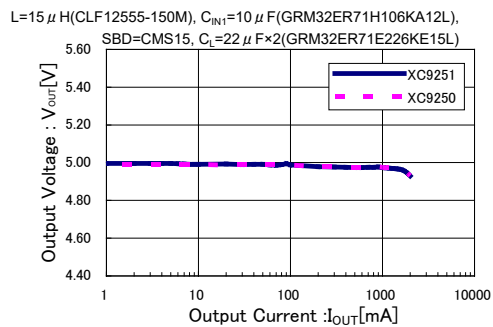
XC9250x083/XC9251x083
($V_{IN}=24V$, $V_{OUT}=12V$)



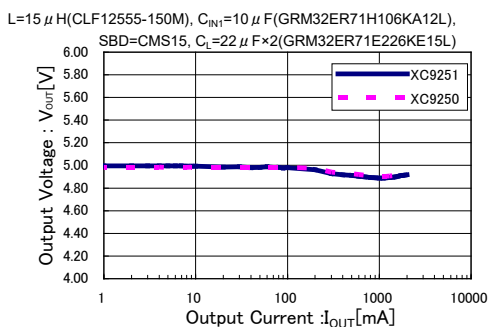
XC9250x085/XC9251x085
($V_{IN}=12V$, $V_{OUT}=1.8V$)



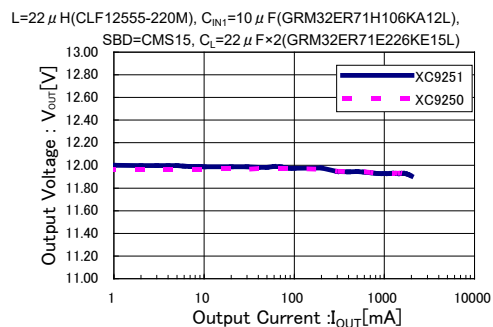
XC9250x085/XC9251x085
($V_{IN}=12V$, $V_{OUT}=5V$)



XC9250x085/XC9251x085
($V_{IN}=24V$, $V_{OUT}=5V$)



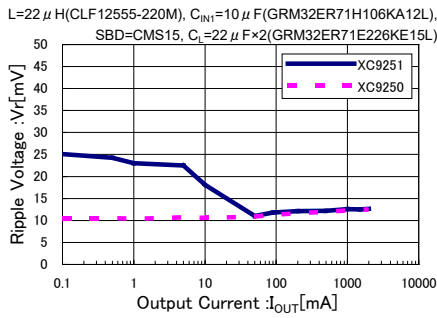
XC9250x085/XC9251x085
($V_{IN}=24V$, $V_{OUT}=12V$)



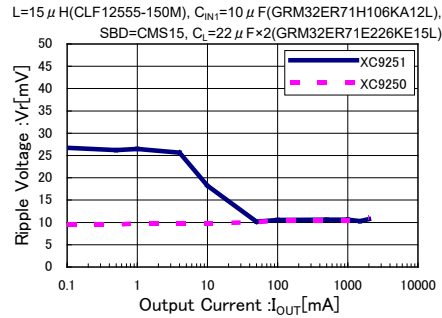
TYPICAL PERFORMANCE CHARACTERISTICS (Continued)

(3) Ripple Voltage vs. Output Current

XC9250x083/XC9251x083
($V_{IN}=12V$, $V_{OUT}=5V$)

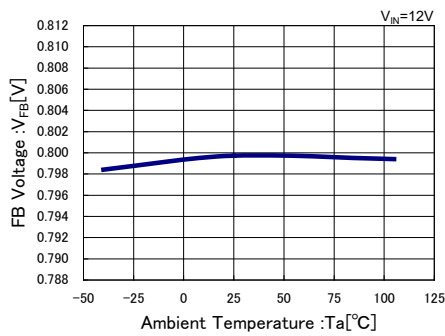


XC9250x085/XC9251x085
($V_{IN}=12V$, $V_{OUT}=5V$)



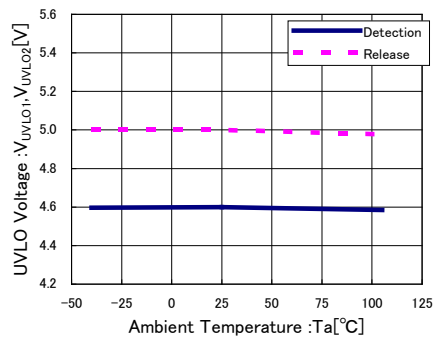
(4) FB Voltage vs. Ambient Temperature

XC9250/XC9251



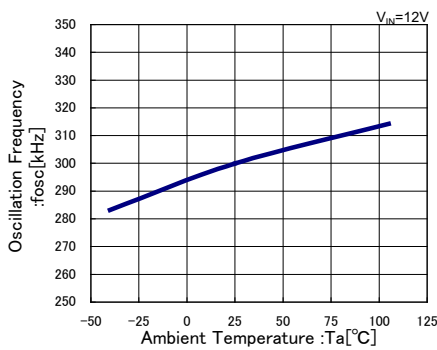
(5) UVLO Voltage vs. Ambient Temperature

XC9250/XC9251

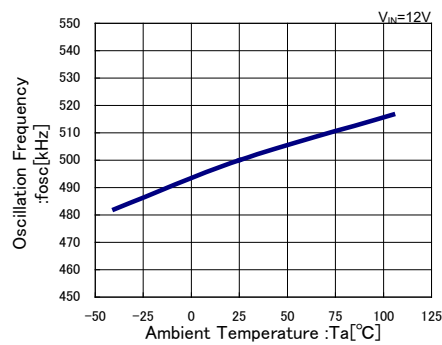


(6) Oscillation Frequency vs. Ambient Temperature

XC9250x083/XC9251x083

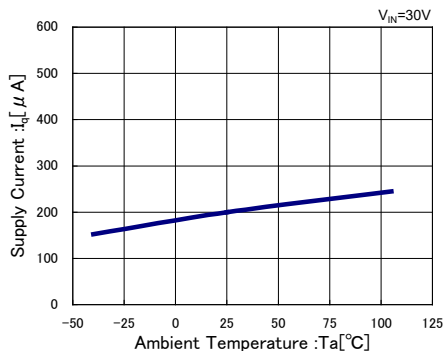


XC9250x085/XC9251x085

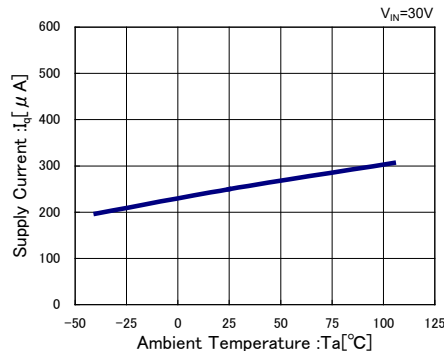


(7) Supply Current vs. Ambient Temperature

XC9250x083/XC9251x083

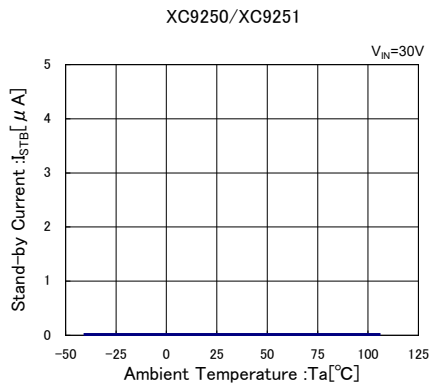


XC9250x085/XC9251x085

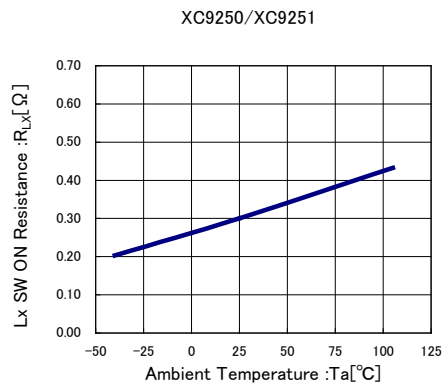


TYPICAL PERFORMANCE CHARACTERISTICS (Continued)

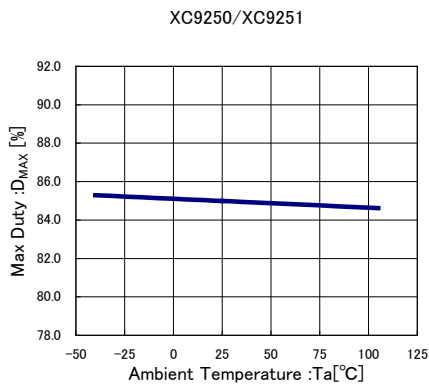
(8) Stand-by Current vs. Ambient Temperature



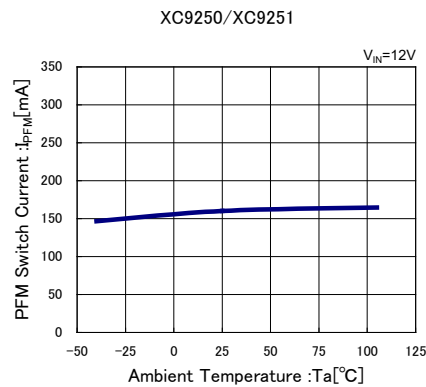
(9) Lx SW ON Resistance vs. Ambient Temperature



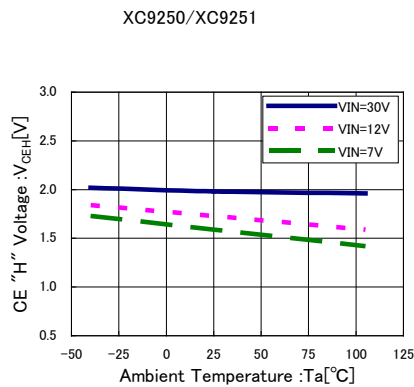
(10) Max Duty vs. Ambient Temperature



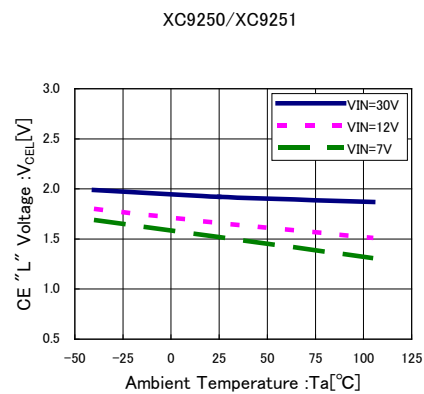
(11) PFM Switch Current vs. Ambient Temperature



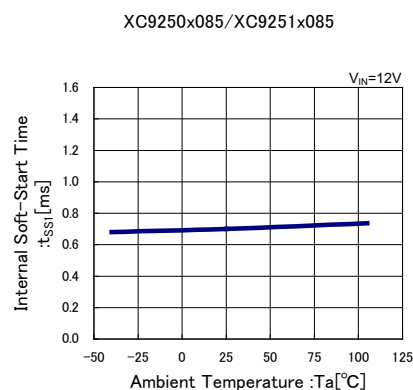
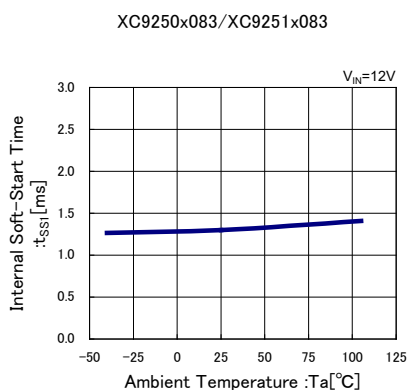
(12) CE "H" Voltage vs. Ambient Temperature



(13) CE "L" Voltage vs. Ambient Temperature



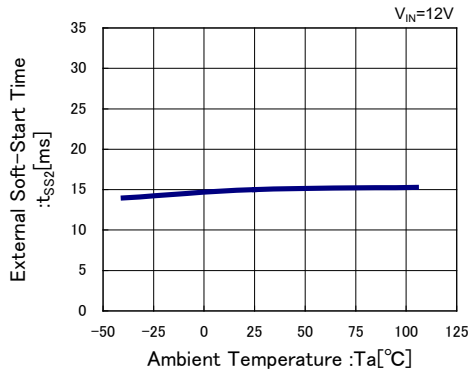
(14) Internal Soft-Start Time vs. Ambient Temperature



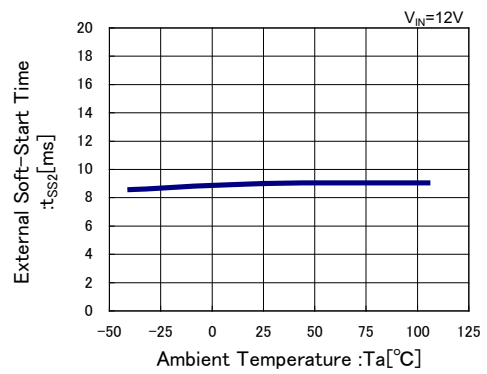
■ TYPICAL PERFORMANCE CHARACTERISTICS (Continued)

(15) External Soft-Start Time vs. Ambient Temperature

XC9250x083/XC9251x083



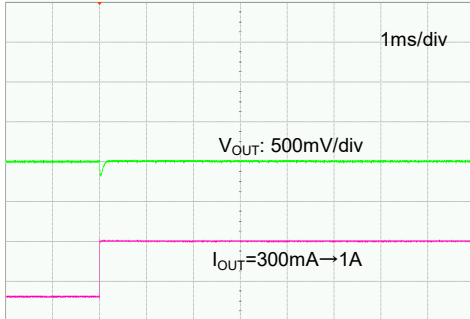
XC9250x085/XC9251x085



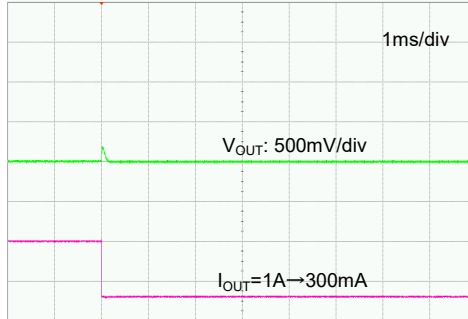
TYPICAL PERFORMANCE CHARACTERISTICS (Continued)

(16) Load Transient Response

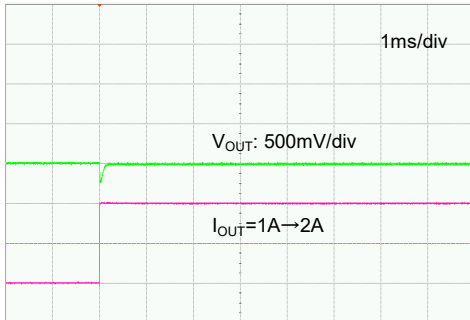
XC9250x083/XC9251x083
 $V_{IN}=12V$, $V_{OUT}=5V$, $I_{OUT}=300mA \rightarrow 1A$
 $L=22\mu H$ (CLF12555-220M), $C_{IN1}=10\mu F$ (GRM32ER71H106KA12L),
 $SBD=CMS15$, $C_L=22\mu F \times 2$ (GRM32ER71E226KE15L)



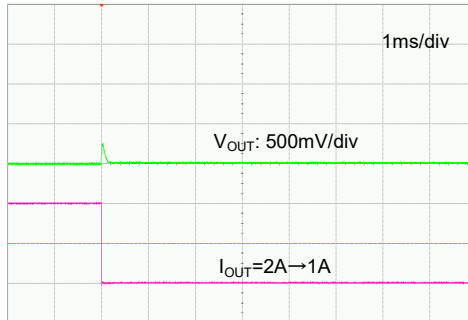
XC9250x083/XC9251x083
 $V_{IN}=12V$, $V_{OUT}=5V$, $I_{OUT}=1A \rightarrow 300mA$
 $L=22\mu H$ (CLF12555-220M), $C_{IN1}=10\mu F$ (GRM32ER71H106KA12L),
 $SBD=CMS15$, $C_L=22\mu F \times 2$ (GRM32ER71E226KE15L)



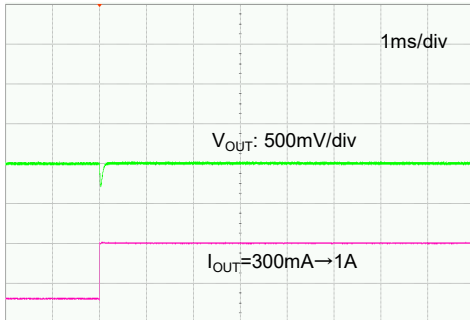
XC9250x083/XC9251x083
 $V_{IN}=12V$, $V_{OUT}=5V$, $I_{OUT}=1A \rightarrow 2A$
 $L=22\mu H$ (CLF12555-220M), $C_{IN1}=10\mu F$ (GRM32ER71H106KA12L),
 $SBD=CMS15$, $C_L=22\mu F \times 2$ (GRM32ER71E226KE15L)



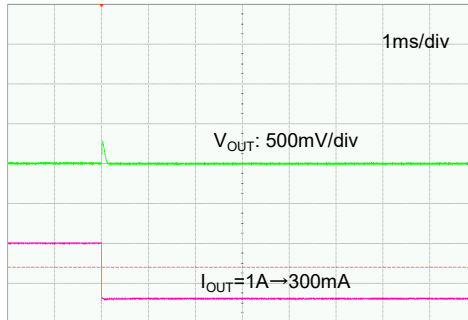
XC9250x083/XC9251x083
 $V_{IN}=12V$, $V_{OUT}=5V$, $I_{OUT}=2A \rightarrow 1A$
 $L=22\mu H$ (CLF12555-220M), $C_{IN1}=10\mu F$ (GRM32ER71H106KA12L),
 $SBD=CMS15$, $C_L=22\mu F \times 2$ (GRM32ER71E226KE15L)



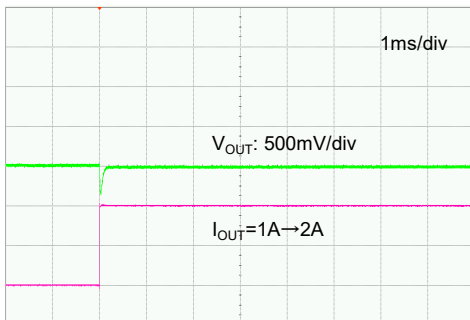
XC9250x085/XC9251x085
 $V_{IN}=12V$, $V_{OUT}=5V$, $I_{OUT}=300mA \rightarrow 1A$
 $L=15\mu H$ (CLF12555-150M), $C_{IN1}=10\mu F$ (GRM32ER71H106KA12L),
 $SBD=CMS15$, $C_L=22\mu F \times 2$ (GRM32ER71E226KE15L)



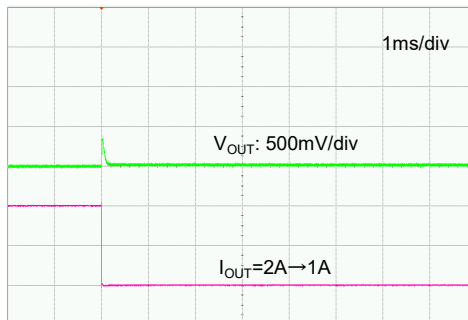
XC9250x085/XC9251x085
 $V_{IN}=12V$, $V_{OUT}=5V$, $I_{OUT}=1A \rightarrow 300mA$
 $L=15\mu H$ (CLF12555-150M), $C_{IN1}=10\mu F$ (GRM32ER71H106KA12L),
 $SBD=CMS15$, $C_L=22\mu F \times 2$ (GRM32ER71E226KE15L)



XC9250x085/XC9251x085
 $V_{IN}=12V$, $V_{OUT}=5V$, $I_{OUT}=1A \rightarrow 2A$
 $L=15\mu H$ (CLF12555-150M), $C_{IN1}=10\mu F$ (GRM32ER71H106KA12L),
 $SBD=CMS15$, $C_L=22\mu F \times 2$ (GRM32ER71E226KE15L)



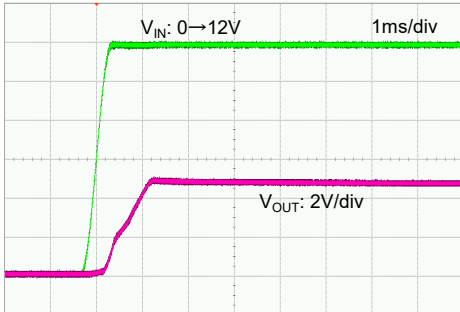
XC9250x085/XC9251x085
 $V_{IN}=12V$, $V_{OUT}=5V$, $I_{OUT}=2A \rightarrow 1A$
 $L=15\mu H$ (CLF12555-150M), $C_{IN1}=10\mu F$ (GRM32ER71H106KA12L),
 $SBD=CMS15$, $C_L=22\mu F \times 2$ (GRM32ER71E226KE15L)



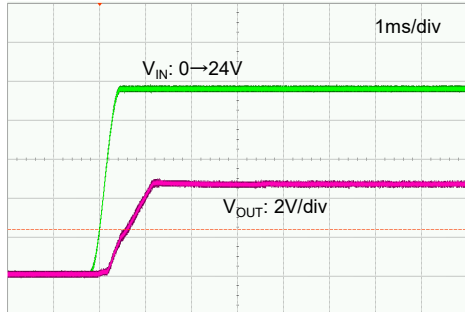
TYPICAL PERFORMANCE CHARACTERISTICS (Continued)

(17) Rising Response Time

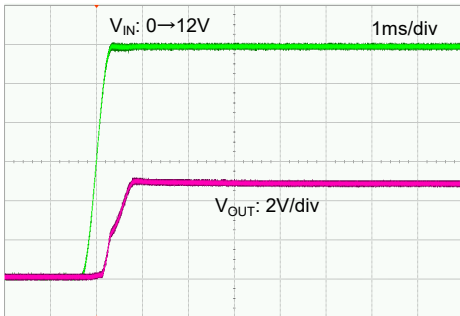
XC9250x083/XC9251x083
 $V_{IN}=0 \rightarrow 12V$, $V_{OUT}=5V$, $I_{OUT}=1mA$
 $L=22 \mu H$ (CLF12555-220M), $C_{IN1}=10 \mu F$ (GRM32ER71H106KA12L),
 $SBD=CMS15$, $C_L=22 \mu F \times 2$ (GRM32ER71E226KE15L)



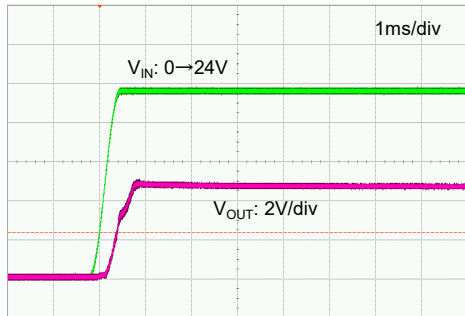
XC9250x083/XC9251x083
 $V_{IN}=0 \rightarrow 24V$, $V_{OUT}=5V$, $I_{OUT}=1mA$
 $L=22 \mu H$ (CLF12555-220M), $C_{IN1}=10 \mu F$ (GRM32ER71H106KA12L),
 $SBD=CMS15$, $C_L=22 \mu F \times 2$ (GRM32ER71E226KE15L)



XC9250x085/XC9251x085
 $V_{IN}=0 \rightarrow 12V$, $V_{OUT}=5V$, $I_{OUT}=1mA$
 $L=15 \mu H$ (CLF12555-150M), $C_{IN1}=10 \mu F$ (GRM32ER71H106KA12L),
 $SBD=CMS15$, $C_L=22 \mu F \times 2$ (GRM32ER71E226KE15L)

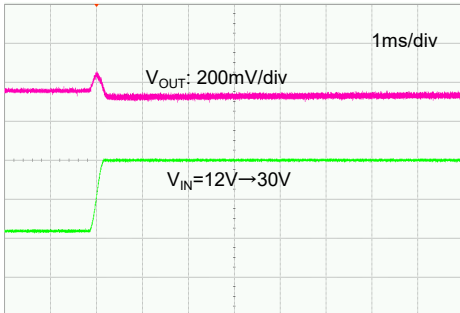


XC9250x085/XC9251x085
 $V_{IN}=0 \rightarrow 24V$, $V_{OUT}=5V$, $I_{OUT}=1mA$
 $L=15 \mu H$ (CLF12555-150M), $C_{IN1}=10 \mu F$ (GRM32ER71H106KA12L),
 $SBD=CMS15$, $C_L=22 \mu F \times 2$ (GRM32ER71E226KE15L)

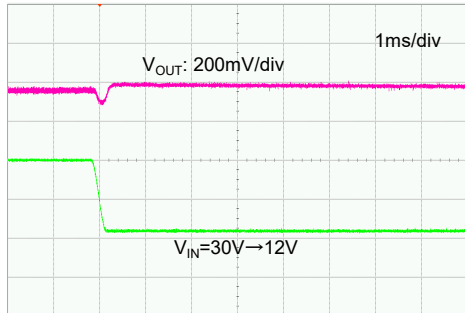


(18) Input Transient Response

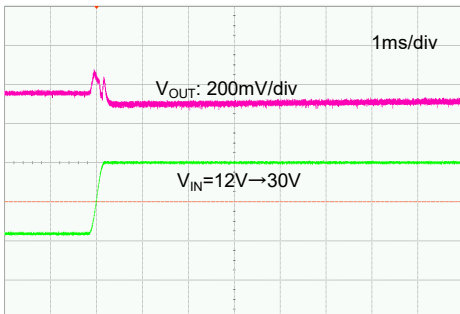
XC9250x083/XC9251x083
 $V_{IN}=12V \rightarrow 30V$, $V_{OUT}=5V$, $I_{OUT}=1A$
 $L=22 \mu H$ (CLF12555-220M), $C_{IN1}=10 \mu F$ (GRM32ER71H106KA12L),
 $SBD=CMS15$, $C_L=22 \mu F \times 2$ (GRM32ER71E226KE15L)



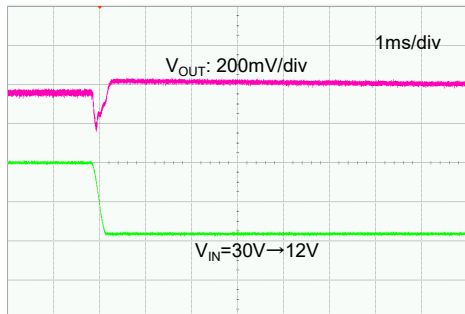
XC9250x083/XC9251x083
 $V_{IN}=30V \rightarrow 12V$, $V_{OUT}=5V$, $I_{OUT}=1A$
 $L=22 \mu H$ (CLF12555-220M), $C_{IN1}=10 \mu F$ (GRM32ER71H106KA12L),
 $SBD=CMS15$, $C_L=22 \mu F \times 2$ (GRM32ER71E226KE15L)



XC9250x085/XC9251x085
 $V_{IN}=12V \rightarrow 30V$, $V_{OUT}=5V$, $I_{OUT}=1A$
 $L=15 \mu H$ (CLF12555-150M), $C_{IN1}=10 \mu F$ (GRM32ER71H106KA12L),
 $SBD=CMS15$, $C_L=22 \mu F \times 2$ (GRM32ER71E226KE15L)

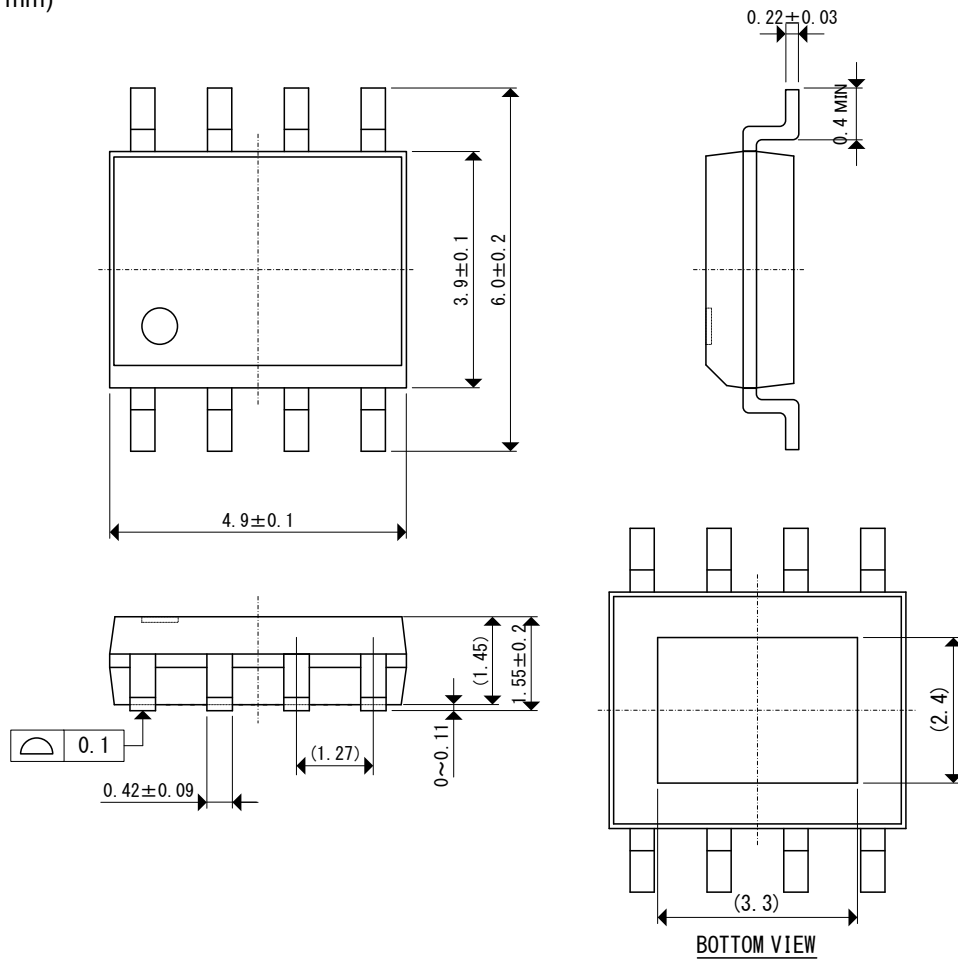


XC9250x085/XC9251x085
 $V_{IN}=30V \rightarrow 12V$, $V_{OUT}=5V$, $I_{OUT}=1A$
 $L=15 \mu H$ (CLF12555-150M), $C_{IN1}=10 \mu F$ (GRM32ER71H106KA12L),
 $SBD=CMS15$, $C_L=22 \mu F \times 2$ (GRM32ER71E226KE15L)

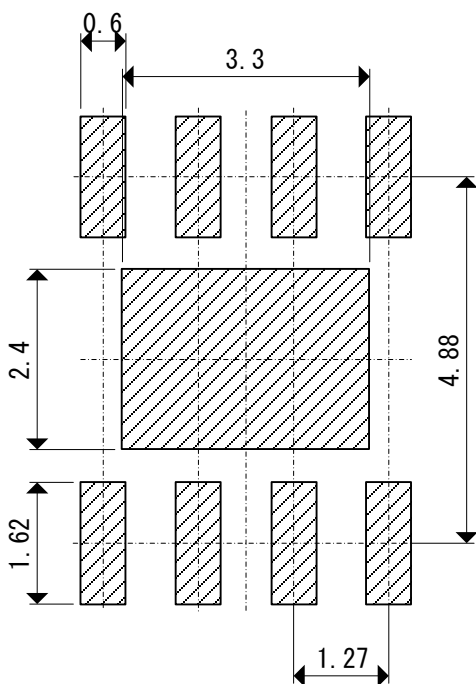


PACKAGING INFORMATION

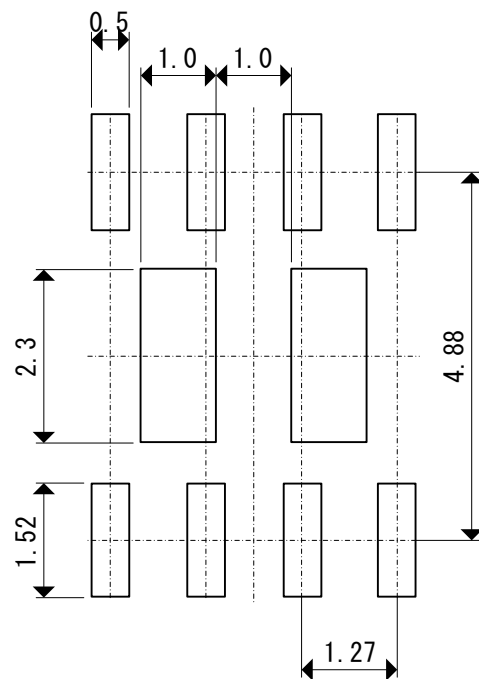
●SOP-8FD (unit: mm)



●SOP-8FD Reference Pattern Layout (unit: mm)

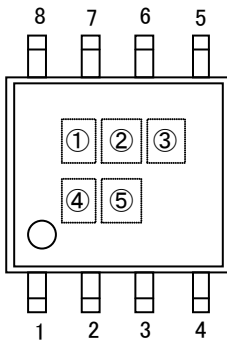


●SOP-8FD Reference Metal Mask Design (unit: mm)



MARKING RULE

SOP-8FD



① represents products series

| MARK | PRODUCT SERIES |
|------|----------------|
| F | XC9250*****-G |
| | XC9251*****-G |

② represents products type

| MARK | PRODUCT SERIES |
|------|----------------|
| A | XC9250A*****-G |
| | XC9251A*****-G |
| B | XC9250B*****-G |
| | XC9251B*****-G |

③ represents FB voltage and oscillation frequency

| MARK | VOLTAGE (V) | OSCILLATION FREQUENCY | PRODUCT SERIES |
|------|-------------|-----------------------|----------------|
| 3 | 0.8 | 300kHz | XC9250*083**-G |
| 5 | | 500kHz | XC9250*085**-G |
| A | 0.8 | 300kHz | XC9251*083**-G |
| B | | 500kHz | XC9251*085**-G |

④⑤ represents production lot number

01~09, 0A~0Z, 11~9Z, A1~A9, AA~AZ, B1~ZZ in order.

(G, I, J, O, Q, W excluded)

* No character inversion used.

1. The products and product specifications contained herein are subject to change without notice to improve performance characteristics. Consult us, or our representatives before use, to confirm that the information in this datasheet is up to date.
2. We assume no responsibility for any infringement of patents, patent rights, or other rights arising from the use of any information and circuitry in this datasheet.
3. Please ensure suitable shipping controls (including fail-safe designs and aging protection) are in force for equipment employing products listed in this datasheet.
4. The products in this datasheet are not developed, designed, or approved for use with such equipment whose failure of malfunction can be reasonably expected to directly endanger the life of, or cause significant injury to, the user.
(e.g. Atomic energy; aerospace; transport; combustion and associated safety equipment thereof.)
5. Please use the products listed in this datasheet within the specified ranges.
Should you wish to use the products under conditions exceeding the specifications, please consult us or our representatives.
6. We assume no responsibility for damage or loss due to abnormal use.
7. All rights reserved. No part of this datasheet may be copied or reproduced without the prior permission of TOREX SEMICONDUCTOR LTD.

TOREX SEMICONDUCTOR LTD.