

XC2301 Series

Tri-State Buffer ICs

GENERAL DESCRIPTION

The 2301 series are a group of high frequency, CMOS low power tri-state buffer ICs with input amplifier, divider and output tri-state buffer circuits built-in.

Output can be selected from any one of the following values for fin (input frequency) : fin/1, fin/2, fin/4, fin/8.

The series is available in an ultra small SOT-26 package.

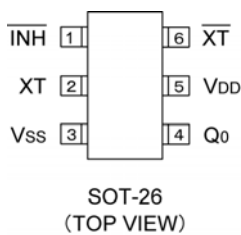
APPLICATIONS

- VCXO Modules
- Crystal Oscillator Modules

FEATURES

- Maximum Operating Frequency** : 160MHz
- Operating Voltage Range** : 3.3V±10%
- Divider Ratio** : Selectable from fin/1, fin/2, fin/4, fin/8
- Output** : 3-State
- CMOS Low Power Consumption**
- Built-In Input Amplifier**
- Package** : SOT-26
- Environmentally Friendly** : EU RoHS Compliant, Pb Free

PIN CONFIGURATION



PIN ASSIGNMENT

PIN NUMBER	PIN NAME	FUNCTION
1	/INH	Stand-by Control (*)
2	XT	Clock Input
3	Vss	GND
4	Q0	Clock Output
5	VDD	Power Supply
6	/XT	Feedback Resistor Connection (Output)

*Stand-by control pin has a pull-up resistor built-in.

/INH, Q0 PIN FUNCTION

/INH	Q0
"H" or OPEN	Clock Output
"L"	High Impedance

■ PRODUCT CLASSIFICATION

● Ordering Information

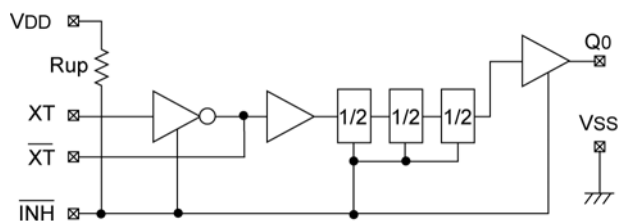
XC2301①②③④⑤⑥-⑦^(*)

DESIGNATOR	DESCRIPTION	SYMBOL	DESCRIPTION
①	Duty Level	C	: CMOS (VDD/2)
②	Fixed Number	5	: -
③	Divider Ratio	1	: Q0=fin/1
		2	: Q0=fin/2
		4	: Q0=fin/4
		8	: Q0=fin/8
④	Output	V	: Tri-state buffer
⑤⑥-⑦	Packages Taping Type ^{(*)2}	MR-G	: SOT-26

^{(*)1} The "-G" suffix indicates that the products are Halogen and Antimony free as well as being fully RoHS compliant.

^{(*)2} The device orientation is fixed in its embossed tape pocket. For reverse orientation, please contact your local Torex sales office or representative. (Standard orientation: ⑤R-⑦, Reverse orientation: ⑤L-⑦)

■ BLOCK DIAGRAM



■ ABSOLUTE MAXIMUM RATINGS

Ta=25°C

PARAMETER	SYMBOL	CONDITIONS	UNITS
Supply Voltage	V _{DD}	V _{SS} - 0.3 ~ V _{SS} + 7.0	V
Input Voltage	V _{IN}	V _{SS} - 0.3 ~ V _{DD} + 0.3	V
Power Dissipation	P _d	250(**)	mW
Operating Temperature Range	T _{opr}	- 40 ~ + 85	°C
Storage Temperature Range	T _{stg}	- 55 ~ + 125	°C

** When implemented on a glass epoxy PCB.

■ ELECTRICAL CHARACTERISTICS

● DC Electrical Characteristics

(Unless otherwise stated, V_{DD}=3.3V, No Load, T_a=25°C)

PARAMETER	SYMBOL	CONDITIONS	MIN.	TYP.	MAX.	UNITS	
Operating Supply Voltage	V _{DD}		2.97	3.30	3.63	V	
Input Voltage "High"	V _{IH}	/INH pin	2.4	-	-	V	
Input Voltage "Low"	V _{IL}	/INH pin	-	-	0.4	V	
Output Voltage "High"	V _{OH}	Q0 pin, V _{DD} =2.97V, I _{OH} = -8mA	2.2	2.4	-	V	
Output Voltage "Low"	V _{OL}	Q0 pin, V _{DD} =2.97V, I _{OL} =8mA	-	0.3	0.4	V	
Supply Current 1	I _{DD1}	/INH =OPEN, Q0=OPEN Fin=160MHz	XC2301C51V (fin/1)	-	13.0	-	mA
			XC2301C52V (fin/2)	-	9.0	-	
			XC2301C54V (fin/4)	-	7.0	-	
			XC2301C58V (fin/8)	-	6.0	-	
Supply Current 2	I _{DD2}	/INH ="L", fin=160MHz	-	4.5	-	mA	
Input Pull-Up Resistance 1	R _{up1}	/INH ="L"	1.0	2.0	4.0	MΩ	
Input Pull-Up Resistance 2	R _{up2}	/INH =0.7V _{DD}	35	70	140	kΩ	
Output Off Leak Current	IOZ	Q0 pin, /INH ="L"	-	-	10	μA	

● AC Electrical Characteristics

(Unless otherwise stated, V_{DD}=3.3V, No Load, T_a=25°C)

PARAMETER	SYMBOL	CONDITIONS	MIN.	TYP.	MAX.	UNITS
Maximum Operating Frequency	f _{max}		160	-	-	MHz

● Reference Value : XC2301C51V (f_{Q0} = fin/1), XC2301C52V (f_{Q0} = fin/2)

(Unless otherwise stated, V_{DD}=3.3V, No Load, T_a=25°C)

PARAMETER	SYMBOL	CONDITIONS	MIN.	TYP.	MAX.	UNITS
Input Amplitude	V _{ipp}		0.5	-	-	V _{pp}
Output Duty Cycle (*1)	DUTY	fin=160MHz, C _L =15pF, V _{ipp} =1.0V _{pp}	40	-	60	%
		fin=125MHz, C _L =15pF, V _{ipp} =0.5V _{pp}				
		fin=70MHz, C _L =30pF, V _{ipp} =0.5V _{pp}				
Output Rise Time (*2)	tr	fin=160MHz, C _L =15pF, V _{ipp} =1.0V _{pp}	-	(1.7)	3.0	ns
		fin=70MHz, C _L =30pF, V _{ipp} =0.5V _{pp}	-	(2.7)	4.5	ns
Output Fall Time (*3)	tf	fin=160MHz, C _L =15pF, V _{ipp} =1.0V _{pp}	-	(1.7)	3.0	ns
		fin=70MHz, C _L =30pF, V _{ipp} =0.5V _{pp}	-	(2.7)	4.5	ns

*1) 0.5V_{DD}

*2) 0.1V_{DD}→0.9V_{DD}

*3) 0.9V_{DD}→0.1V_{DD}

● Reference Value : XC2301C54V (f_{Q0}=fin/4), XC2301C58V (f_{Q0}=fin/8)

(Unless otherwise stated, V_{DD}=3.3V, No Load, T_a=25°C)

PARAMETER	SYMBOL	CONDITIONS	MIN.	TYP.	MAX.	UNITS
Input Amplitude	V _{ipp}		0.5	-	-	V _{pp}
Output Duty Cycle (*1)	DUTY	fin=160MHz, C _L =15pF, V _{ipp} =1.0V _{pp}	45	-	55	%
		fin=125MHz, C _L =15pF, V _{ipp} =0.5V _{pp}				
		fin=70MHz, C _L =30pF, V _{ipp} =0.5V _{pp}				
Output Rise Time (*2)	tr	fin=160MHz, C _L =15pF, V _{ipp} =1.0V _{pp}	-	(1.7)	3.0	ns
		fin=70MHz, C _L =30pF, V _{ipp} =0.5V _{pp}	-	(2.7)	4.5	ns
Output Fall Time (*3)	tf	fin=160MHz, C _L =15pF, V _{ipp} =1.0V _{pp}	-	(1.7)	3.0	ns
		fin=70MHz, C _L =30pF, V _{ipp} =0.5V _{pp}	-	(2.7)	4.5	ns

*1) 0.5V_{DD}

*2) 0.1V_{DD}→0.9V_{DD}

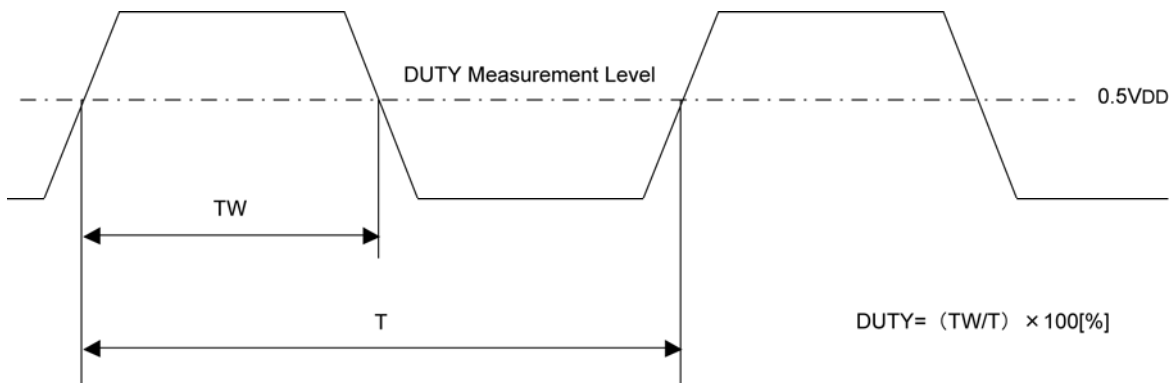
*3) 0.9V_{DD}→0.1V_{DD}

SWITCHING WAVEFORMS

(1) Switching Time



(2) Duty Cycle



SUPPLY CURRENT, DUTY MEASUREMENT CIRCUIT

- *) The feedback resistor (fixed) R_f must be connected.
- *) When the duty needs to be adjusted because of power supply and/or input amplitude, duty resistor (fixed) R_b should be connected.

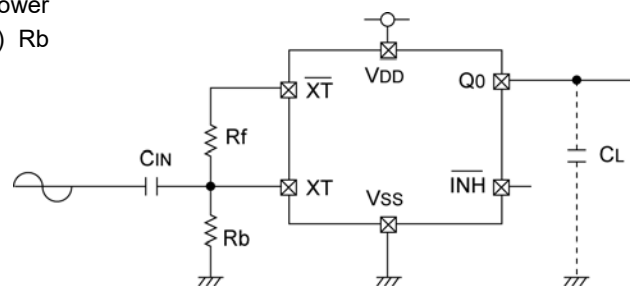
<Reference Peripheral Values: R_f , R_b , C_{IN} >

$V_{DD}=3.3V$, $f_{in}=160MHz$, $V_{ipp}=0.5V_{pp}$

$C_{IN} = 10000 [pF]$

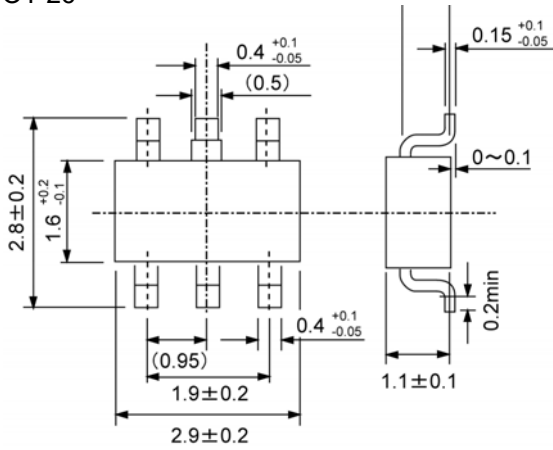
$R_f = 51 [k\Omega]$

$R_b = 360 [k\Omega]$



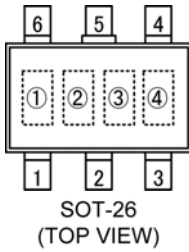
PACKAGING INFORMATION

● SOT-26



MARKING RULE

● SOT-26



① Represents product series

MARK	PRODUCT SERIES
1	XC2301xxxxxx

② Represents divider ratio

MARK	RATIO	MARK	RATIO
C	fin/1	E	fin/4
D	fin/2	F	fin/8

③ Represents tri-state buffer ICs

MARK
V

④ Represents assembly lot number
(Based on internal standards)

1. The products and product specifications contained herein are subject to change without notice to improve performance characteristics. Consult us, or our representatives before use, to confirm that the information in this datasheet is up to date.
2. We assume no responsibility for any infringement of patents, patent rights, or other rights arising from the use of any information and circuitry in this datasheet.
3. Please ensure suitable shipping controls (including fail-safe designs and aging protection) are in force for equipment employing products listed in this datasheet.
4. The products in this datasheet are not developed, designed, or approved for use with such equipment whose failure or malfunction can be reasonably expected to directly endanger the life of, or cause significant injury to, the user.
(e.g. Atomic energy; aerospace; transport; combustion and associated safety equipment thereof.)
5. Please use the products listed in this datasheet within the specified ranges.
Should you wish to use the products under conditions exceeding the specifications, please consult us or our representatives.
6. We assume no responsibility for damage or loss due to abnormal use.
7. All rights reserved. No part of this datasheet may be copied or reproduced without the prior permission of TOREX SEMICONDUCTOR LTD.

TOREX SEMICONDUCTOR LTD.