

XC6241A2819R Evaluation Board User Manual

6Vmax, 150mA Voltage Regulator with Green Operation

CAUTION

ENGINEERING EVALUATION PURPOSES ONLY

This evaluation board is made for the purpose of the product evaluation. It is strictly prohibited to use this evaluation board for any other purpose.

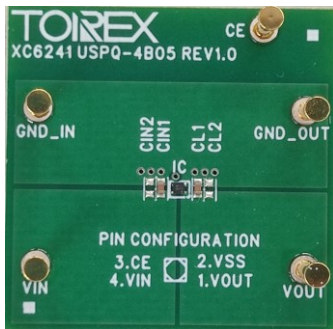
Torex Semiconductor does not guarantee that all samples will perform in exactly the same way and we recommend that you always consult our product data sheets for the minimum and maximum specifications.

It is also important that you evaluate all our products carefully before mass

XC6241A2819R Evaluation Board

6Vmax, 150mA Voltage Regulator with Green Operation

Evaluation Board Picture



Evaluation Board SPEC

PARAMETER	SYMBOL	MIN.	TYP.	MAX.	UNITS
Input Voltage	V_{IN}	1.6	-	6.0	V
Output Voltage	V_{OUT}	2.77	2.80	2.83	V
Output Current (Ta=25°C)	I_{OUT}	-	-	150	mA

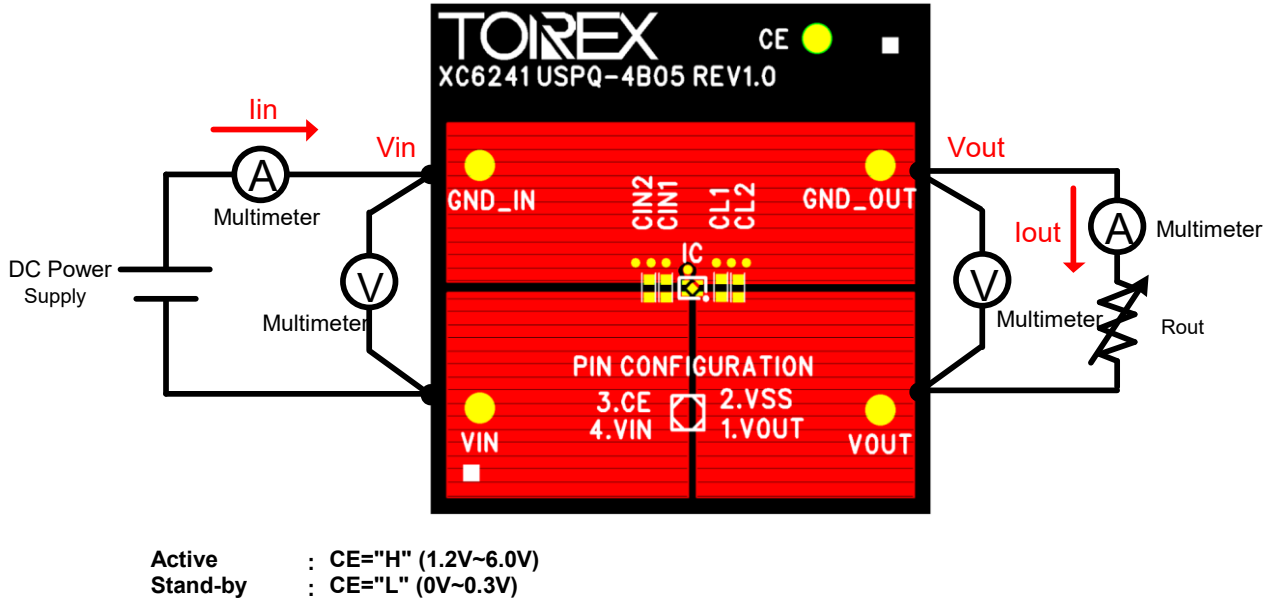
XC6241 Series Features

- Input Voltage Range 1.6V ~ 6.0V
- Max Output Current 150mA
- GO function
 - Low Supply Current 0.6μA (@PS Mode)
 - High PSRR 60dB@1kHz (@HS Mode)
- Small Size Package USPQ-4B05 (1.0x1.0xh0.33mm)

XC6241A2819R Evaluation Board

6Vmax, 150mA Voltage Regulator with Green Operation

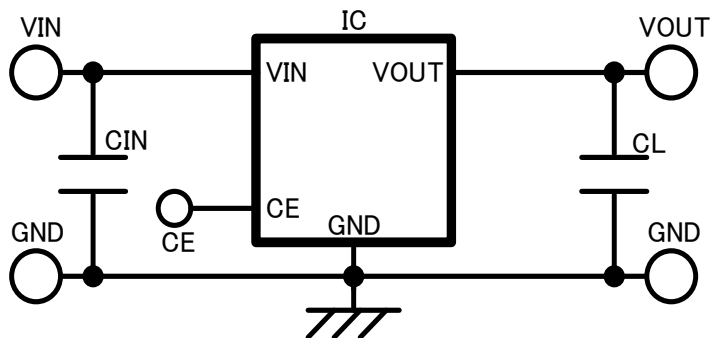
Quick Start Procedure



XC6241A2819R Evaluation Board

6Vmax, 150mA Voltage Regulator with Green Operation

Schematic



BOM

Required Circuit Component

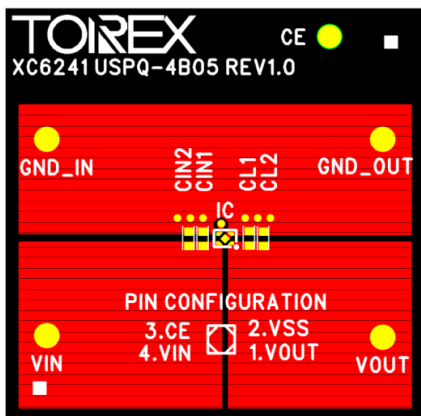
Item	Value	Description	Size [mm]	Part Number	Manufacture
IC	-	Voltage Regulator with GO Function	USPQ-4B05	XC6241A2819R-G	TOREX
CIN	1µF	Ceramic cap., 10V	1005	GRM155C71A105KE11D	Murata
CL	1µF	Ceramic cap., 10V	1005	GRM155C71A105KE11D	Murata

XC6241A2819R Evaluation Board

6Vmax, 150mA Voltage Regulator with Green Operation

PCB Layout

Layer 1



Layer 2

