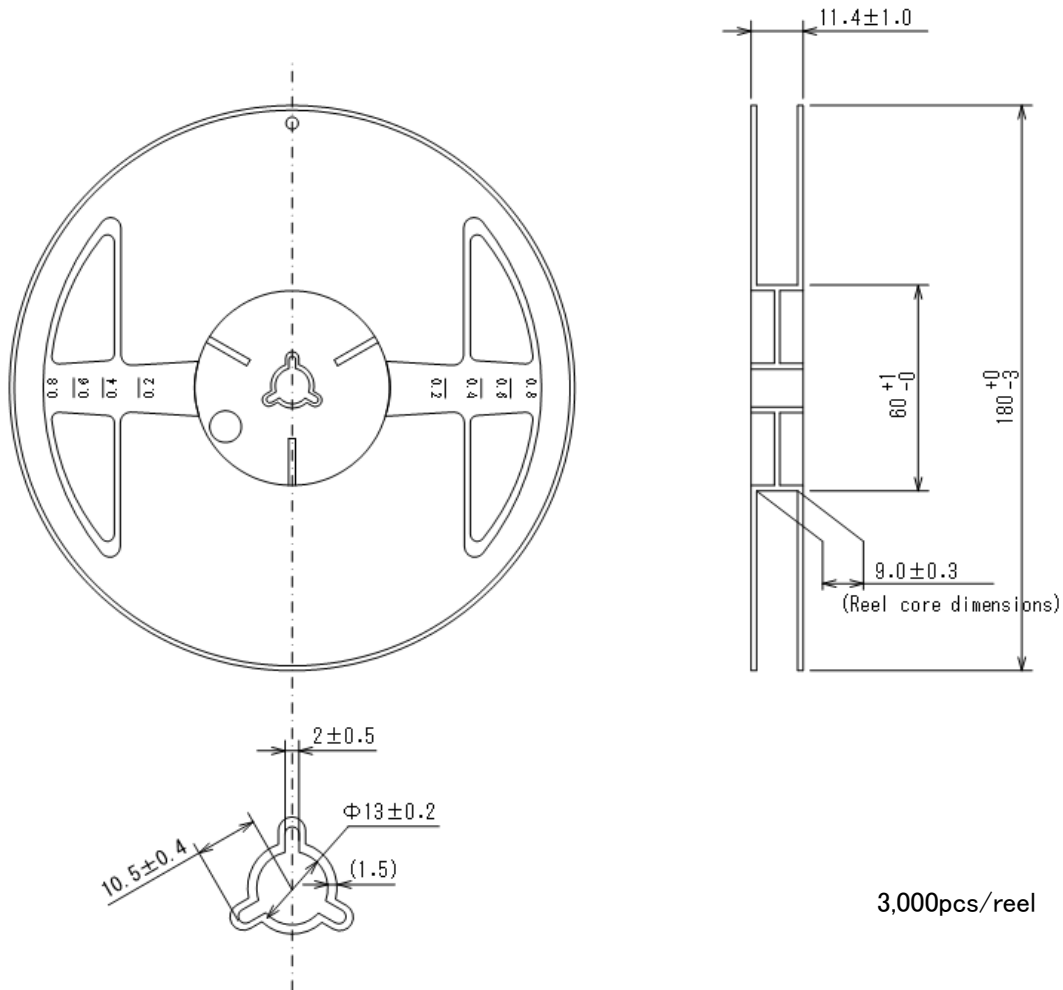


# Taping Specifications

●WLP-5-03Reel

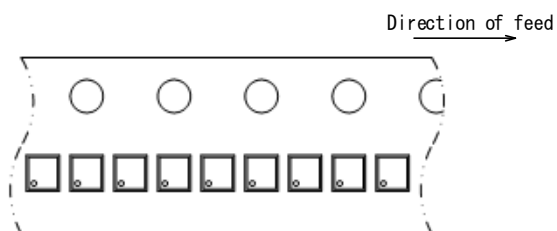
Unit: mm



3,000pcs/reel

## ●Taping Specifications

1) R Type : Standard feed

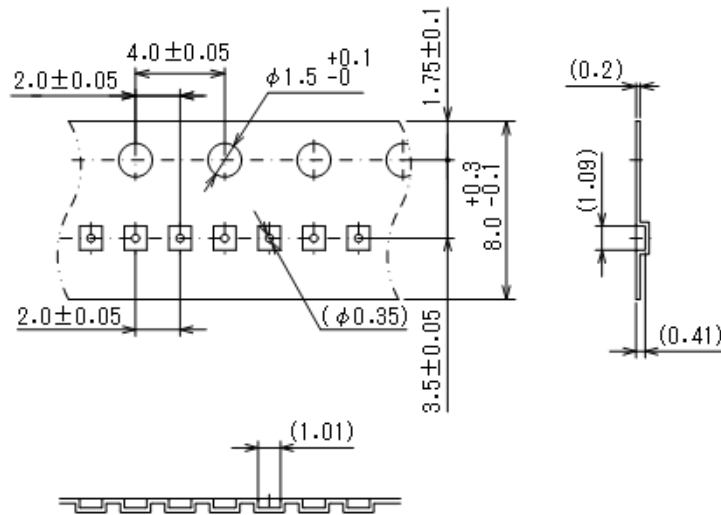


# Taping Specifications

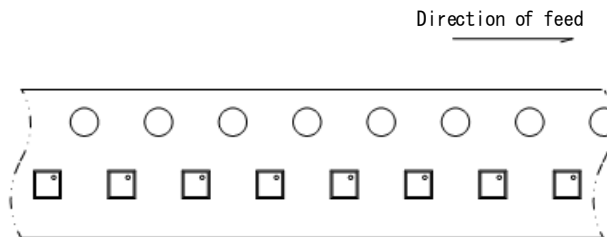
●WLP-5-03Reel

●Taping Specifications

2)R Type dimensions



3) L Type : Reverse feed



4) L Type dimensions: Same as R type

5) Product delivery method

