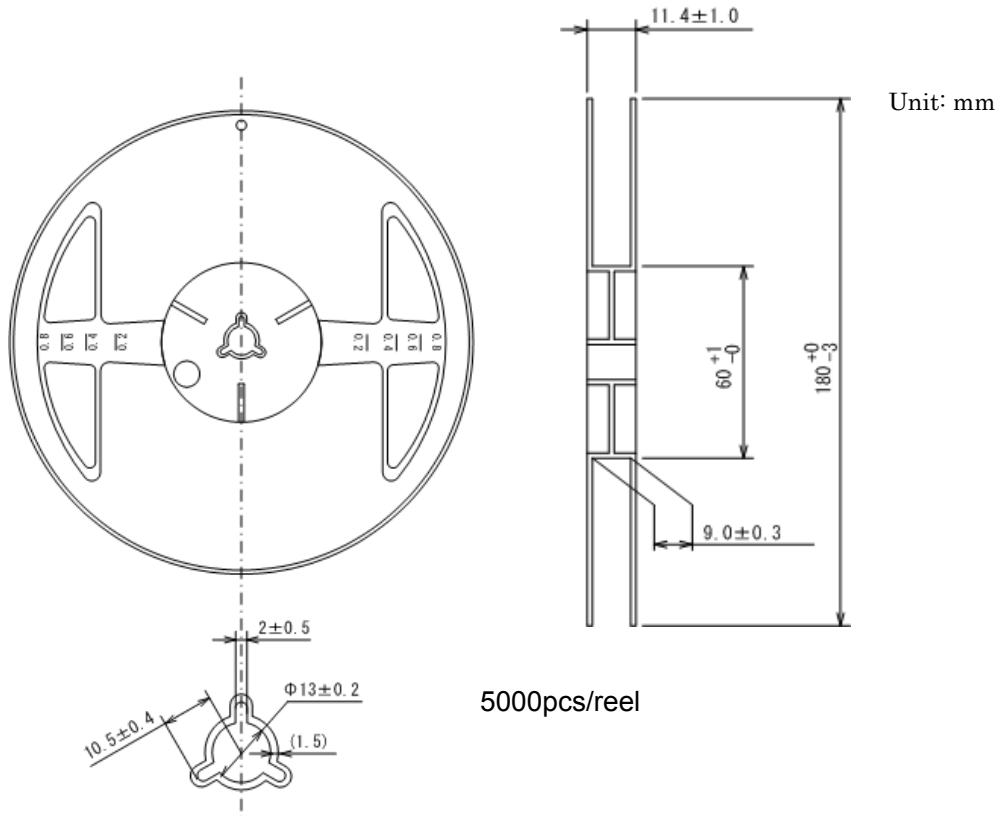


# Taping Specifications

●USPN-6 Reel



●Taping Specifications

