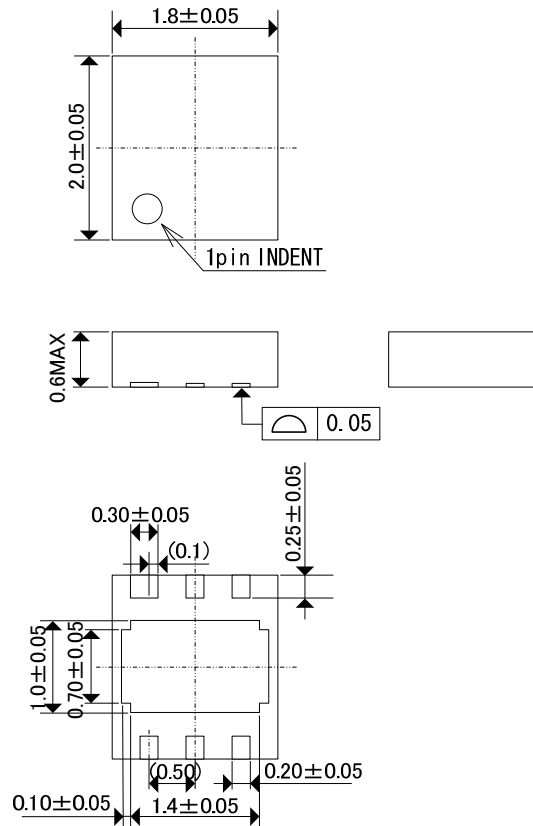


# Packaging Information / Reference Pattern Layout Dimensions

● USP-6C

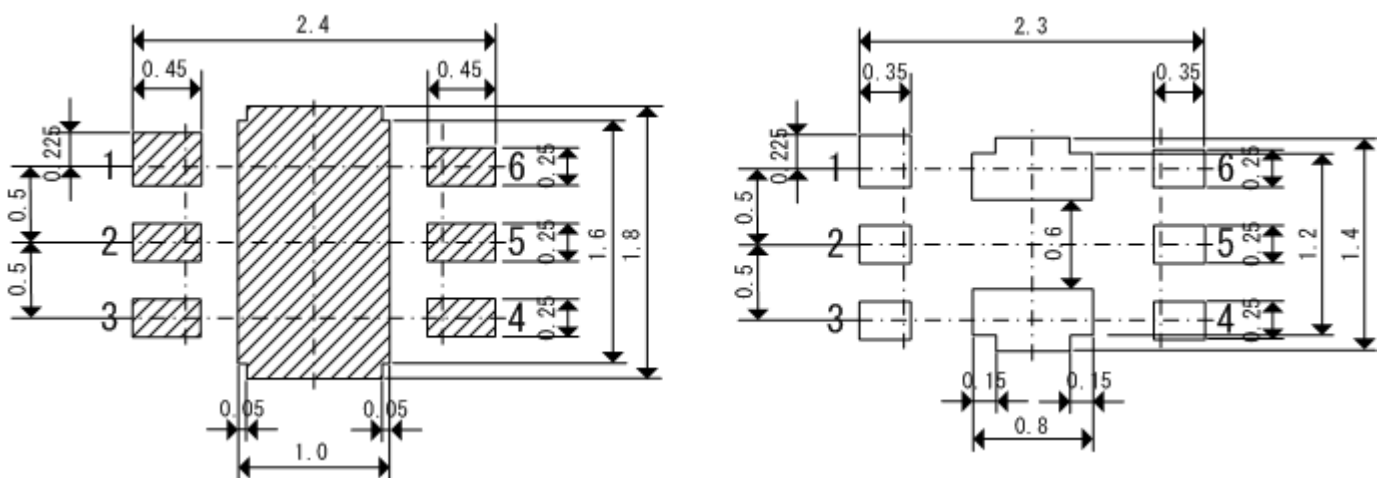
Unit: mm

## ■ Packaging Information



## ■ Reference Pattern Layout Dimension

Note : reference metal mask design



• Solder thickness:  $120 \mu\text{m}$  (Ref.)