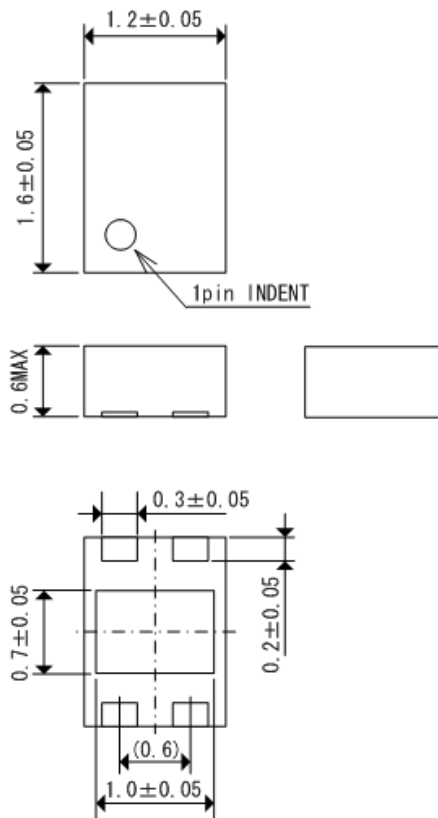


Packaging Information / Reference Pattern Layout Dimensions

● USP-4

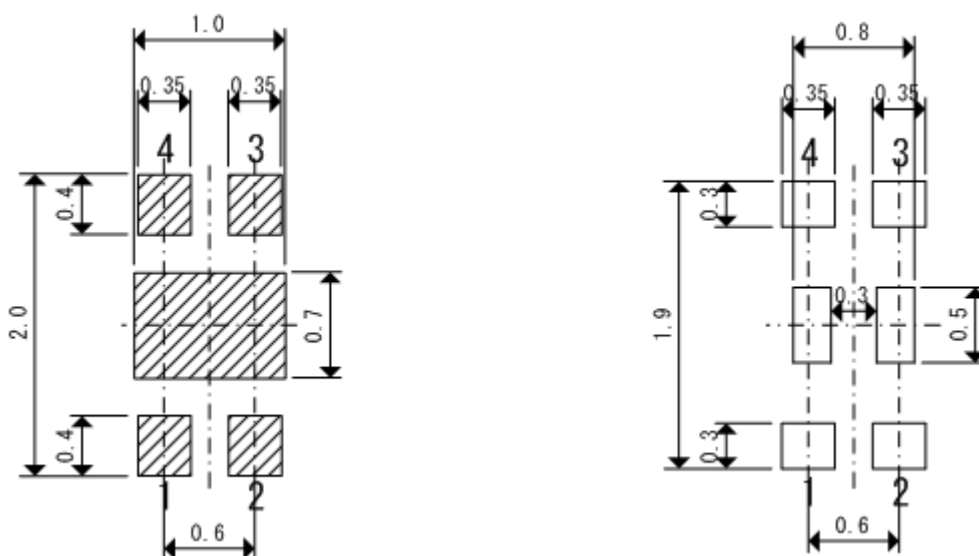
Unit: mm

■ Packaging Information



■ Reference Pattern Layout Dimension

Note : reference metal mask design



• Solder thickness: 120 μ m (Ref.)