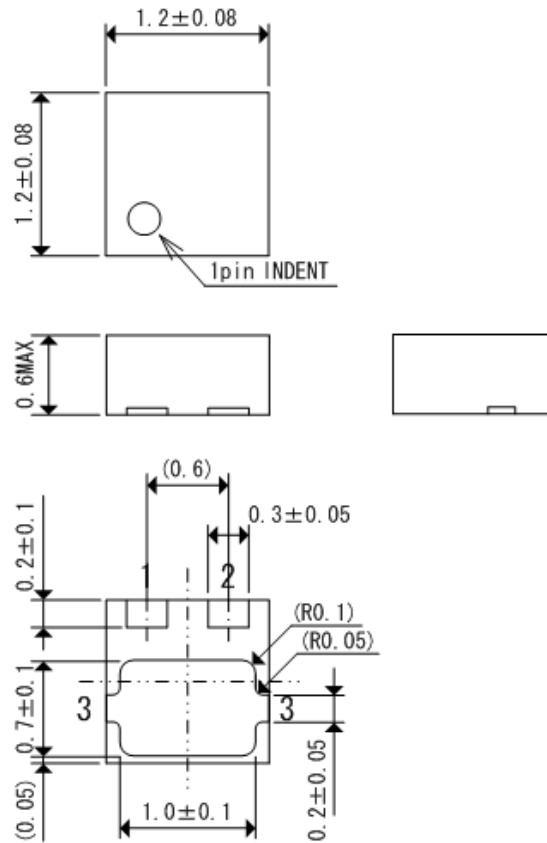


Packaging Information / Reference Pattern Layout Dimensions

● USP-3

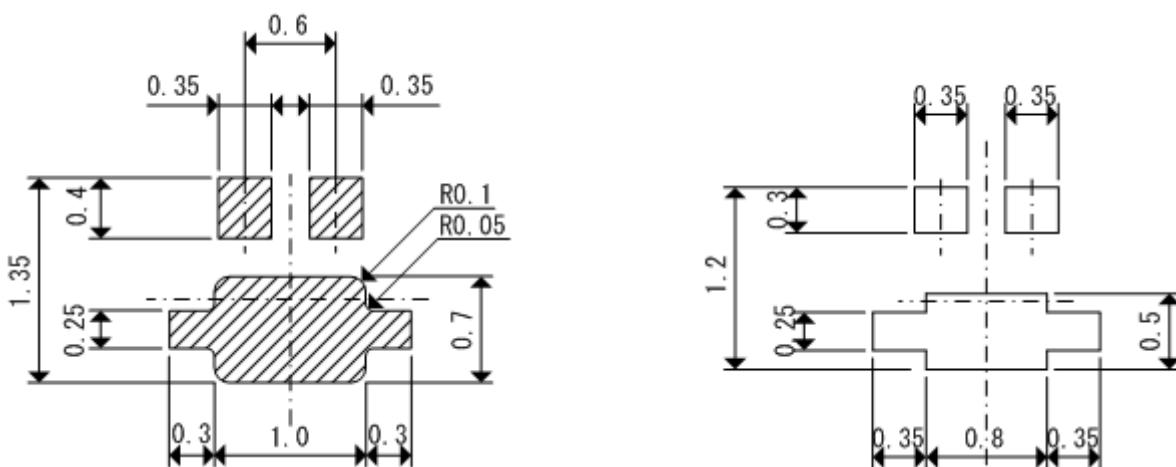
Unit: mm

■ Packaging Information



■ Reference Pattern Layout Dimension

Note : reference metal mask design



• Solder thickness: 120µm (Ref.)