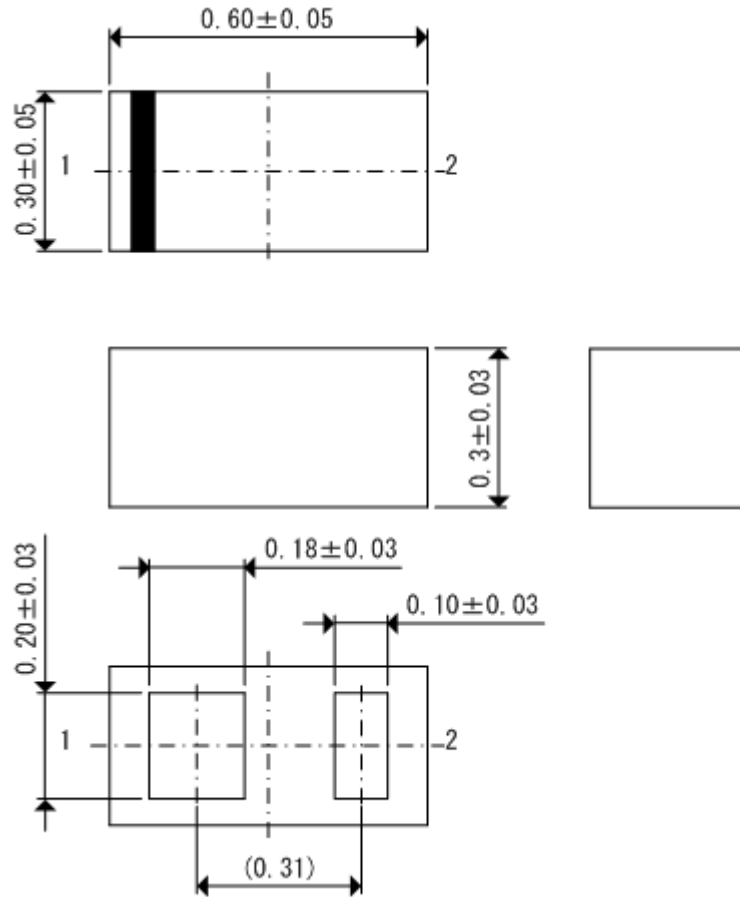


Packaging Information / Reference Pattern Layout Dimensions

●USP-2B01

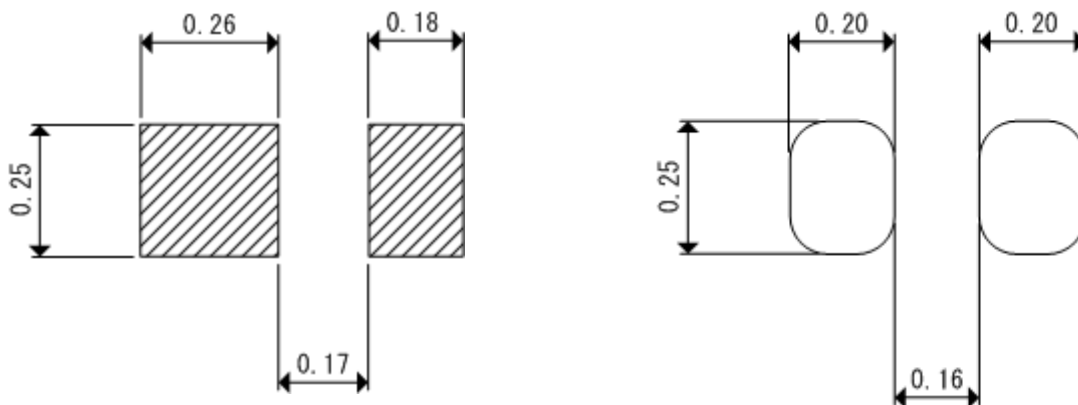
■Packaging Information

Unit: mm



■Reference Pattern Layout Dimension

Reference metal mask design



• Solder thickness: 100 μ m (Ref.)