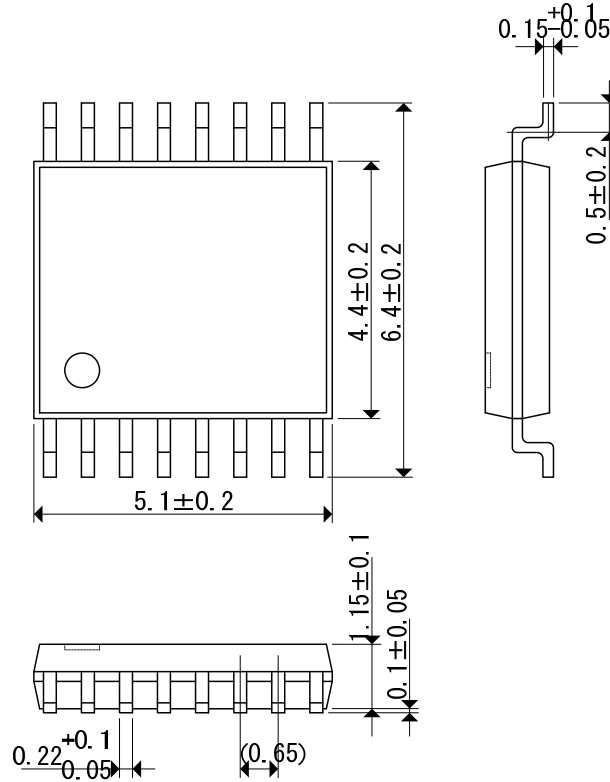


Packaging Information / Reference Pattern Layout Dimensions

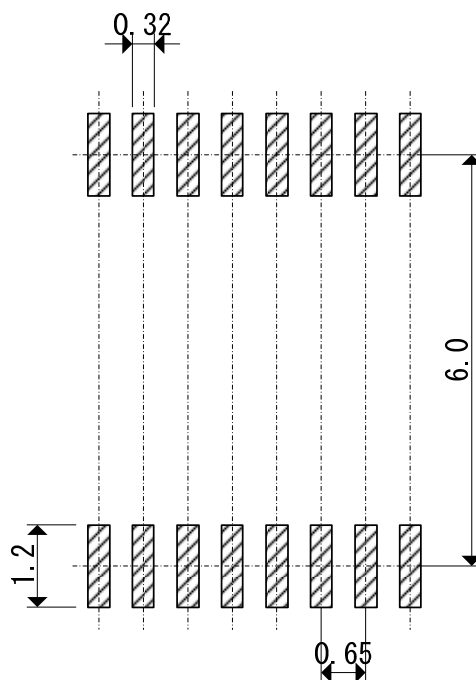
● TSSOP-16

Unit: mm

■ Packaging Information



■ Reference Pattern Layout Dimension



• Solder thickness: 150 $\mu$ m (Ref.)