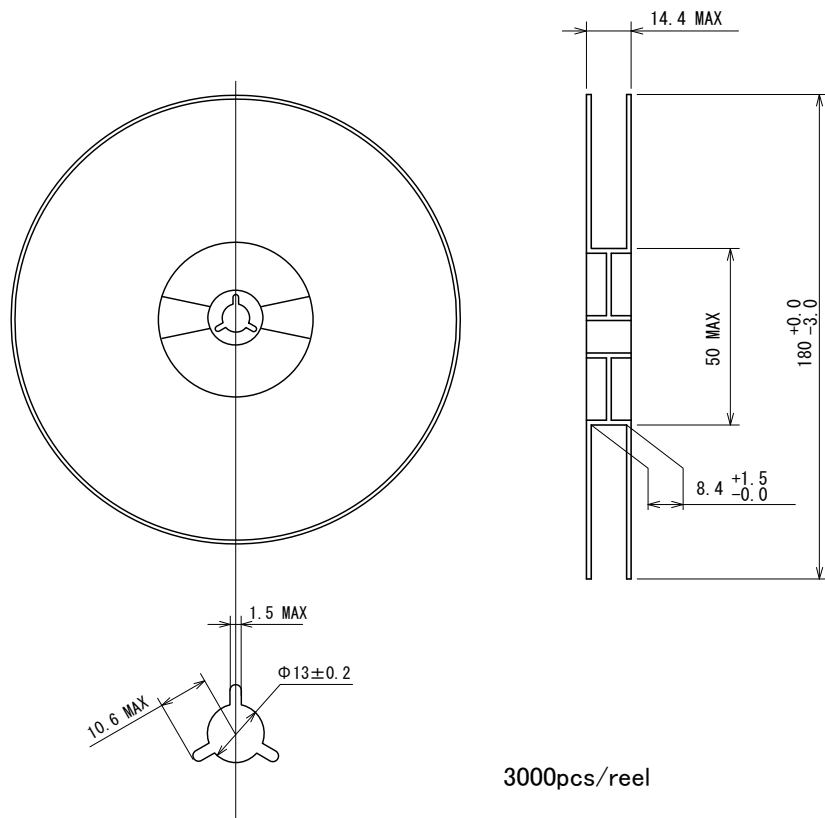


# Taping Specifications

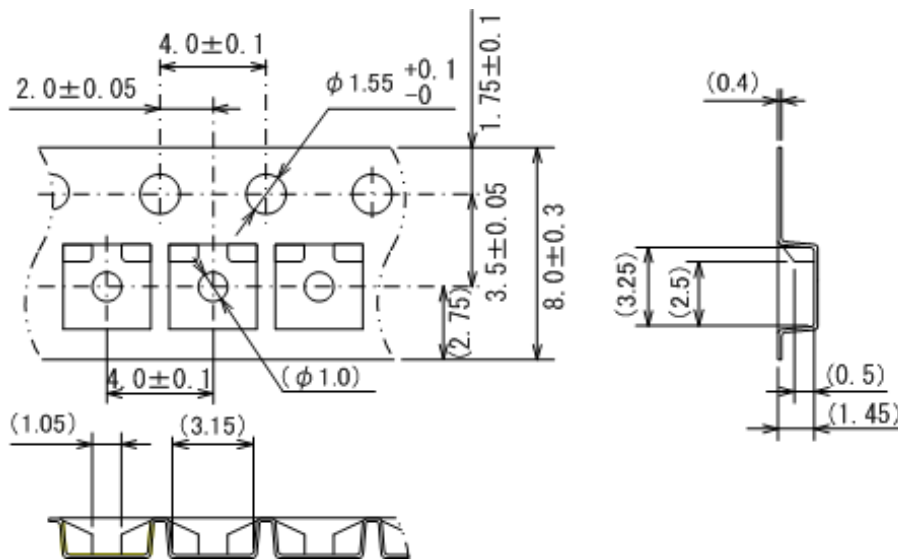
● SOT-23D

■ Reel

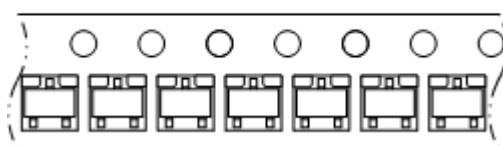


Unit: mm

## ■ Taping Specifications



direction of feed



R Type : [Device orientation : Right]

Standard feed