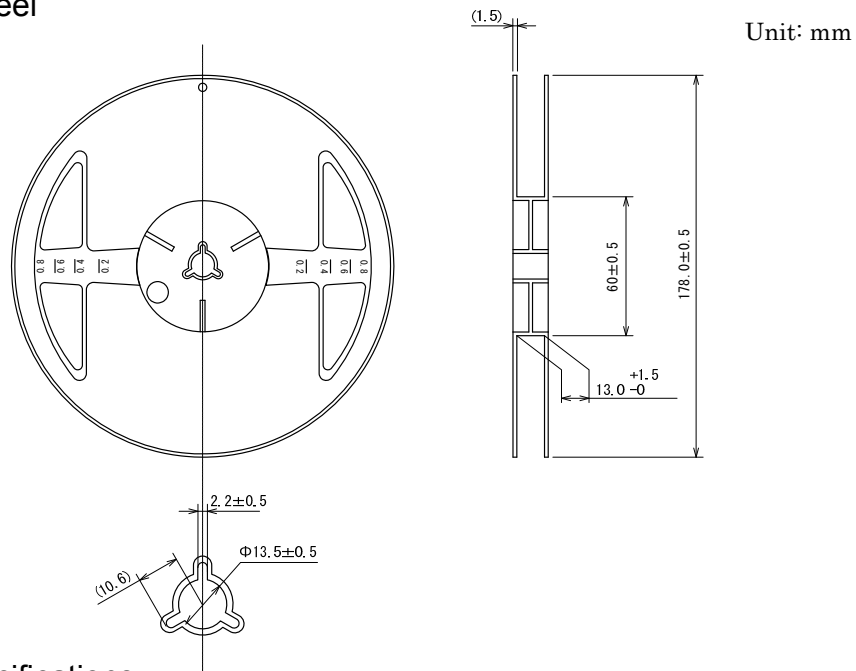


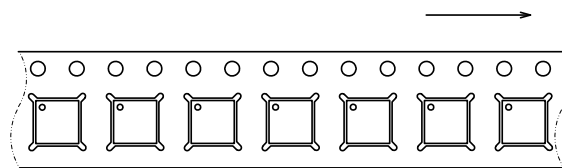
Taping Specifications

●QFN-24 Reel

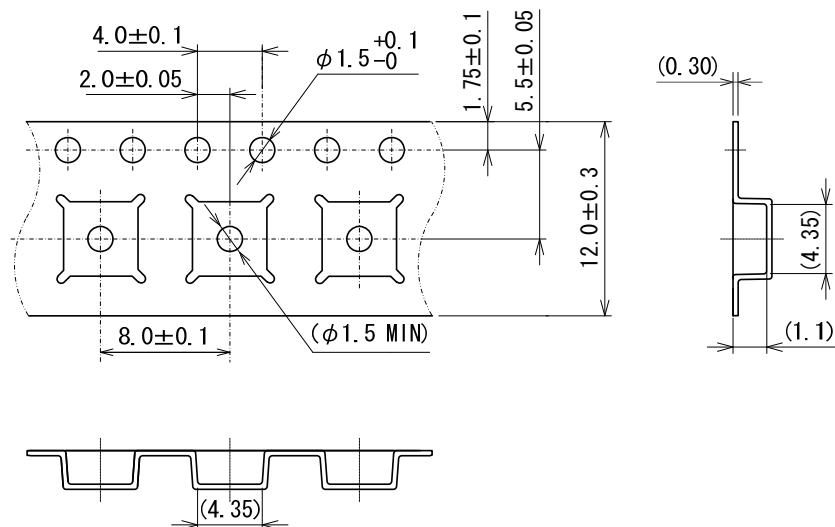


●Taping Specifications

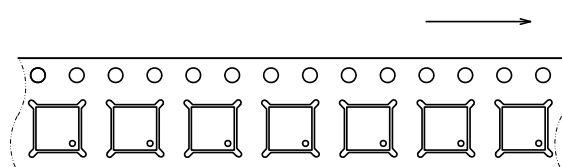
direction of feed



R Type :[Device orientation : Right] Standard feed



direction of feed



L Type :[Device orientation : Left] Reverse feed