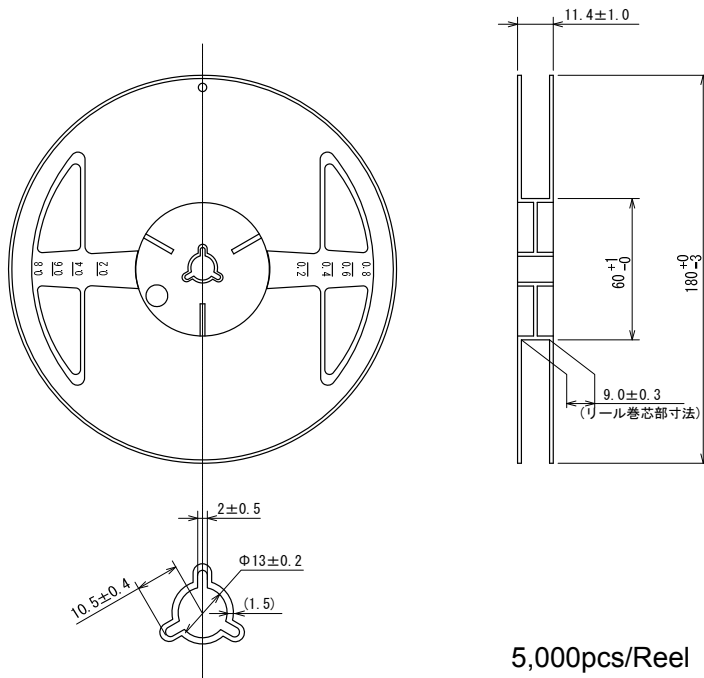


テーピング仕様 / Taping Specifications

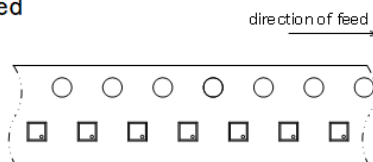
LGA-8B01

●リール/Reel

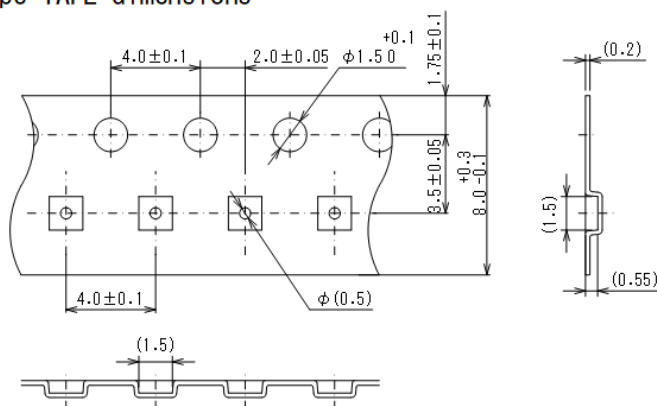


●テーピング仕様/Taping Specifications

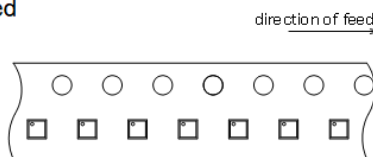
1) R Type : Standard feed



2) R Type TAPE dimensions



3) L Type : Reverse feed



4) L type TAPE dimensions: Same as R type